

FLAT COLLECTION

Design VillaTosca



UN SOTTILE STRATO DI LUCE

FLAT è il nuovo sistema di illuminazione disegnato da VillaTosca per LUMEN CENTER ITALIA. Il progetto condensa al minimo la superficie del corpo lampada con notevoli vantaggi in termini di leggerezza e riduzione degli ingombri.

Le sorgenti LED utilizzate forniscono luce diretta verso il basso mentre lo strato di metacrilato la diffonde in maniera diffusa nell'ambiente.

A THIN LAYER OF LIGHT

FLAT is the new lighting system designed by VillaTosca for LUMEN CENTER ITALIA. The project condenses to a minimum the surface of the lamp body with considerable advantages in terms of lightness and space reduction.

The LED light sources used provide direct light downwards while the layer of methacrylate spreads diffusely into the environment.

薄い光のレイヤー

「フラット」は、ヴィットラトスカによってデザインされたルーメンセンター・イタリアの新しい照明システムです。この製品は、ライト本体の表面を最小限に抑え、大幅な軽量化と省スペースを実現しています。LED光源による下方向への直接照明のほか、メタクリル樹脂層によって光が拡散して空間に溶け込む間接照明を生み出します。

FLAT 04/05/06

Design Villa Tosca



Finishes

- 105FT White
- 130 Gold foil
- 131 Silver foil
- 132 Copper foil
- 172 Natural anodized aluminium

Diffuser

Lenticular PC

Cable

Transparent

Electronic driver

Dimmable included PUSH, 1...10
Dimmable included TRIAC cut-phase

Light source LED

FLAT 04: LED 25,2W

PUSH, 1...10:

110/240V 2250lm 2700K CRI>90

110/240V 2500lm 3000K CRI>90

TRIAC:

220/240V 2250lm 2700K CRI>90

FLAT 05: LED 31,5W

PUSH, 1...10:

110/240V 2850lm 2700K CRI>90

110/240V 3150lm 3000K CRI>90

TRIAC:

220/240V 2850lm 2700K CRI>90

FLAT 06: LED 37,8W

PUSH, 1...10:

110/240V 3420lm 2700K CRI>90

110/240V 3800lm 3000K CRI>90

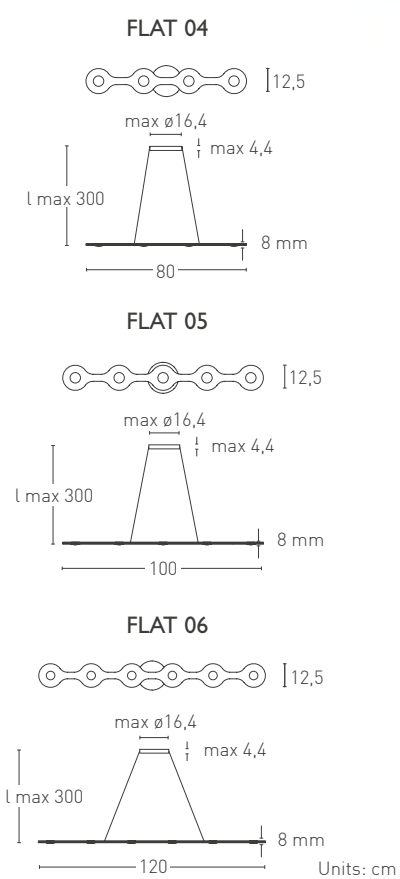
TRIAC:

220/240V 3420lm 2700K CRI>90

A

Certification

CE EAC PS E F Classe I IP20



Collezione di sottili sospensioni a 4, 5 o 6 punti luce disposti linearmente. La struttura, realizzata da due lamine di alluminio anodizzato naturale frapposti da uno strato di metacrilato trasparente, fornisce luce indiretta verso l'alto e luce diretta verso il basso diffusa attraverso diffusori lenticolari in policarbonato. Alimentatore dimmerabile alloggiato nel rosone. Cavi di alimentazione e sospensione trasparenti.

Collection of thin suspensions with 4, 5, or 6 LED linear light sources. The structure is composed of three thin sheets, externally natural anodized aluminium and internally methacrylate, which provides direct light downward through lenticular polycarbonate diffusers, while the methacrylate layer spreads diffusely light in the surrounding. Dimmable power supply located in the ceiling rose. Transparent power and suspension cables.

直線上に並んだ4, 5, 6灯を備えた薄型のペンダントランプシリーズ。この構造体はアルマイト処理された二枚のアルミによって透明メタクリルを挟む構造になっています。ポリカーボネート製レンズディフューザーによって上向きに間接照明、下向きに直接照明を拡散することができます。フランジカバー内には調光機能内蔵ドライバーが設置されています。電源ケーブルを兼ねた吊り下げワイヤーには細く柔軟性の高い素材を使用しました。



FLAT RING 3/6/12

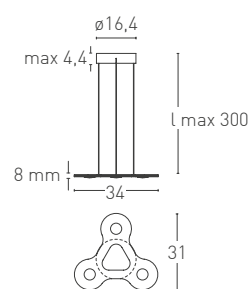
Design VillaTosca

Collezione di sottili sospensioni a 3, 6 o 12 punti luce disposti in circolo. La struttura, realizzata da due lamine di alluminio anodizzato naturale frapposti da uno strato di metacrilato trasparente, fornisce luce indiretta verso l'alto e luce diretta verso il basso attraverso diffusori lenticolari in policarbonato. Alimentatore dimmerabile alloggiato nel rosone. Cavi di alimentazione e sospensione trasparenti.

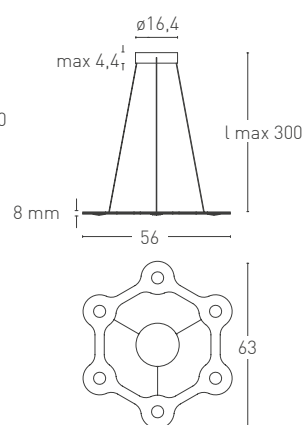
Collection of thin circular suspensions with 3, 6, or 12 LED light sources. The structure is composed of three thin sheets, externally natural anodized aluminium and internally methacrylate, which provides direct light downward through lenticular polycarbonate diffusers, while the methacrylate layer spreads diffusely light in the surrounding. Dimmable power supply housed in the ceiling rose. Transparent power and suspension cables. v

リング状に3、6、12灯を備えた薄型のペンダントランプシリーズ。この構造体はアルマイト処理された二枚のアルミによって透明メタクリルを挟む構造になっています。ポリカーボネート製レンズディフューザーによって上向きに間接照明、下向きに直接照明を拡散することができます。フランジカバー内には調光機能内蔵ドライバーが設置されています。電源ケーブルを兼ねた吊り下げワイヤーには細く柔軟性の高い素材を使用しました。

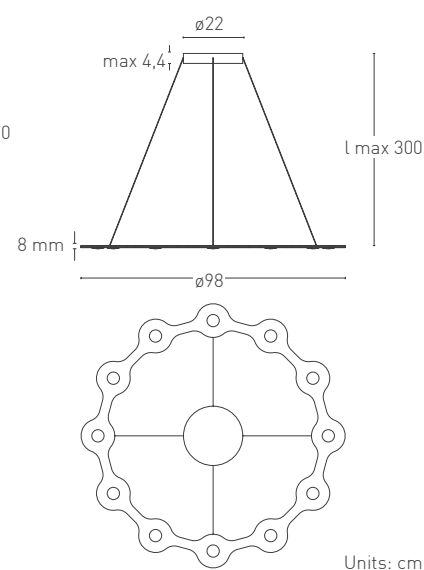
FLAT RING 3



FLAT RING 6



FLAT RING 12



Units: cm



Finishes

- 105FT White
- 130 Gold foil
- 131 Silver foil
- 132 Copper foil
- 172 Natural anodized aluminium

Diffuser

Lenticular PC

Cable

Transparent

Electronic driver

Dimmable included PUSH, 1...10
Dimmable included TRIAC cut-phase

Light source LED

FLAT RING 3: LED 18,9W
PUSH, 1...10:
110/240V 1890lm 3000K CRI>90
TRIAC:
220/240V 1700lm 2700K CRI>90

FLAT RING 6: LED 37,8W
PUSH, 1...10:
110/240V 3800lm 3000K CRI>90
TRIAC:
220/240V 3420lm 2700K CRI>90

FLAT RING 12: LED 75,6W
PUSH, 1...10:
110/240V 7560lm 3000K CRI>90
TRIAC:
220/240V 6800lm 2700K CRI>90

A

Certification

CE EAC PS E F Classe I IP20



FLAT SATURN 1/2/3

Design VillaTosca

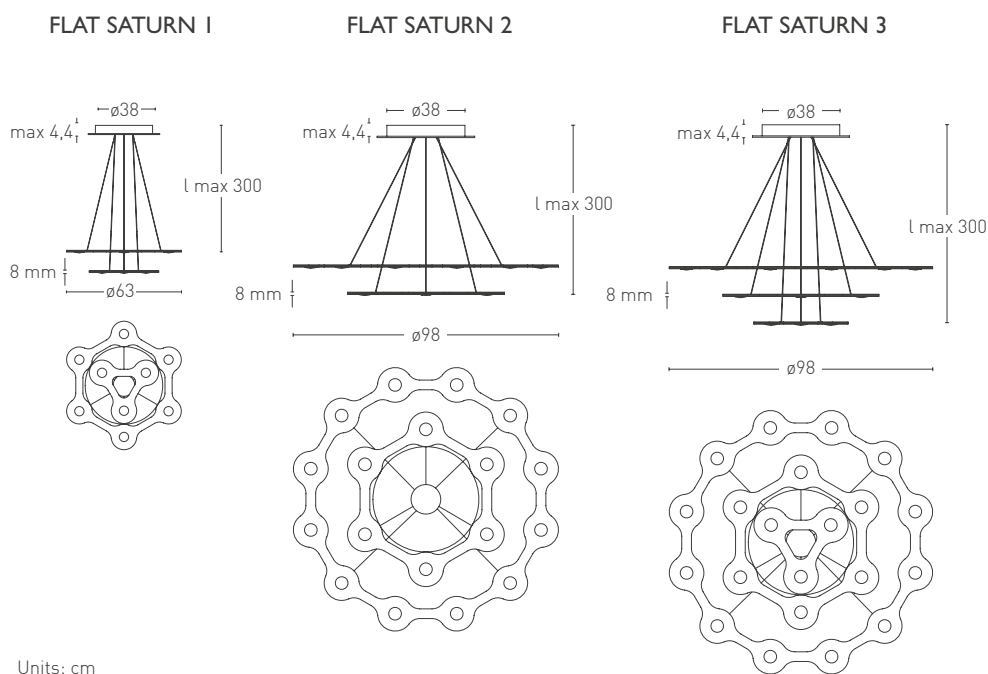
FLAT SATURN è un sistema di illuminazione che combina i modelli RING3, RING6, RING12 in un'unica sospensione. La lampada è disponibile nelle versioni a due elementi R3+R6, R6+R12 e nel modello a tre costruito combinando R3+R6+R12.

Alimentatore dimmerabile alloggiato nel rosone. Cavi di alimentazione e sospensione trasparenti.

FLAT SATURN is a lighting system which combines RING3, RING6, RING12 in one suspension. It's available in two rings versions: R3+R6 and R6+R12; and also in three rings version combining R3+R6+R12. Dimmable power supply located in the ceiling rose.

Transparent power and suspension cables.

「フラット・サトゥーン」は「フラット・リング3」、「フラット・リング6」、「フラット・リング12」を一つのペンダントランプとして組み合わせたシステムです。二つのエレメントを組み合わせたタイプ「R3+R6」、「R6+R12」と三つのエレメント全てを組み合わせた「R3+R6+R12」の三種類を用意しました。フランジカバー内には調光機能内蔵ドライバーが設置されています。電源ケーブルを兼ねた吊り下げワイヤーには細く柔軟性の高い素材を使用しました。



Units: cm



Finishes

- 105FT White
- 130 Gold foil
- 131 Silver foil
- 132 Copper foil
- 172 Natural anodized aluminium

Diffuser

Lenticular PC

Cable

Transparent

Electronic Driver

Dimmable included PUSH, 1...10
Dimmable included TRIAC cut-phase

Light source LED

FLAT SATURN 1: LED 56,7W
PUSH, 1...10:
110/240V 5670lm 3000K CRI>90
TRIAC:
220/240V 5100lm 2700K CRI>90

FLAT SATURN 2: LED 113,4W
PUSH, 1...10:
110/240V 11300lm 3000K CRI>90
TRIAC:
220/240V 10170lm 2700K CRI>90

FLAT SATURN 3: LED 132,3W
PUSH, 1...10:
110/240V 13230lm 3000K CRI>90
TRIAC:
220/240V 11900lm 2700K CRI>90



Certification

CE EAC PS E F Classe I IP20

