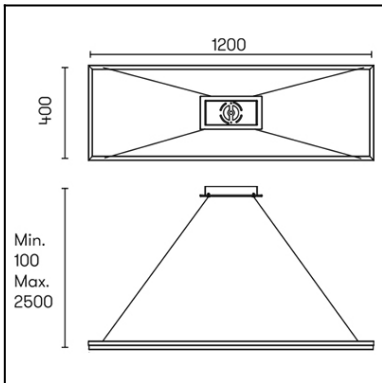
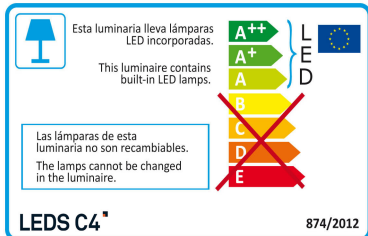


La finition de la photographie peut ne pas coïncider avec celle de la référence. Pour identifier la finition réelle, voir la description de cette dernière.



Download photometric file .ldt /.ies



Cliquez sur l'image pour télécharger l'étiquette-énergie

CARACTÉRISTIQUES TECHNIQUES

Type:	Suspension
Source lumineuse 1:	384 x LED
Ampoule spécifiée sur l'étiquette du luminaire	34W
	Blanc chaud - 3 000 K
	3264 lm ^(N)
	CRI 80
Angle des lentilles / Réflecteur:	
Tension / Fréquence:	220-240VAC/50-60Hz
Garantie:	2
Possibilité d'extension de garantie:	5
Unités par caisse:	1
Poids net (kg):	3.775
Code EAN:	8435381425500



MATIÈRES / FINITIONS

Matière structure: Aluminium
Acier

Matière diffuseur: PMMA

Finition structure: Blanc mat

Finition diffuseur: Sablé

ÉQUIPEMENT

Équipement compris: électronique

Protocole du règlement: Phase cut (trailing edge)

OPTOTRONIC®

Constant Current LED Power Supply mains dimmable (Phase Cut functionality)

List of Phase Cut Dimmers tested for compatibility

Brand	Model Number	L/T	OTe10/220-240/700PC		OTe13/220-240/350PC		OTe18/220-240/350PC		OTe18/220-240/500PC		OTe25/220-240/700 PC		OTe35/220-240/700 PC	
			dim min	dim max	dim min	dim max	dim min	dim max	dim min	dim max	dim min	dim max	dim min	dim max
Busch	2247U	L	7%	98%	9%	97%	30%	96%	30%	100%	1%	100%	NA	
Busch	6523U	L	5%	98%	4%	94%	1%	93%	5%	99%	3%	96%	3%	100%
Busch	6513U-102	T	18%	99%	16%	97%	10%	95%	18%	100%	10%	100%	24%	100%
Busch	2250	L	5%	100%	0%	95%	40%	96%	34%	100%	39%	100%	6%	100%
Clipsal	32E450 TM	T	11%	100%	10%	97%	5%	95%	14%	100%	13%	100%	NA	
Clipsal	32E450UM	T	15%	97%	13%	96%	8%	93%	18%	100%	10%	98%	17%	100%
Clipsal	32E2CFDLM	L	10%	98%	9%	97%	4%	93%	9%	100%	5%	92%	12%	100%
Clipsal*	32E450LM	L	2%	96%	1%	95%	3%	97%	7%	98%	3%	98%	6%	100%
ELKO*	315 GLE	T	9%	100%	10%	95%	7%	100%	33%	100%	13%	100%	7%	100%
ELKO*	400 GLI	L	3%	100%	2%	96%	4%	96%	7%	100%	3%	100%	4%	100%
Feller*	40600.RL	L	2%	100%	3%	97%	6%	97%	6%	98%	4%	99%	3%	100%
GIRA	0307 00/01	T	1%	100%	0%	97%	0%	96%	5%	100%	0%	100%	4%	100%
Hager B&R	WBMD400TO	T	23%	100%	17%	97%	12%	100%	29%	100%	12%	97%	30%	100%
HPM	cat 400T	T	7%	90%	5%	85%	3%	85%	9%	100%	5%	86%	3%	100%
HPM	Cat 200L	L	4%	78%	5%	82%	4%	76%	4%	82%	4%	77%	9%	100%
Jung	225TDE	T	15%	99%	11%	96%	7%	91%	13%	100%	8%	93%	4%	100%
Jung*	225NVDE	L	4%	99%	5%	97%	5%	97%	8%	100%	4%	100%	4%	100%
Legrand	Cat 400L	T	1%	100%	1%	95%	0%	97%	1%	105%	1%	100%	3%	100%
Legrand	Cat 400T	L	4%	82%	1%	85%	3%	81%	5%	78%	4%	77%	3%	100%
Legrand	ZLD03	T	4%	82%	0%	78%	3%	88%	9%	100%	5%	86%	20%	100%
Legrand	078407	L	2%	90%	4%	95%	1%	86%	3%	93%	3%	85%	5%	100%
Legrand	067083	T	3%	91%	3%	95%	2%	87%	4%	93%	3%	85%	1%	100%
Legrand	770062	T	5%	97%	5%	100%	3%	94%	4%	100%	3%	93%	0%	100%
TCL-Legrand	775903	T	9%	96%	8%	92%	3%	89%	10%	100%	5%	91%	3%	100%
Lutron*	GRX-3106-T-AU-WH	L	0%	100%	0%	97%	0%	96%	0%	100%	0%	100%	0%	100%
Lutron (USA)	GXI-3104-T-CE-WH	T	4%	100%	0%	97%	0%	96%	0%	100%	0%	100%	0%	100%
NIKO	310-01900	T	4%	97%	4%	100%	0%	95%	4%	100%	3%	95%	2%	100%
NIKO	330-00700	T	4%	97%	3%	100%	1%	95%	2%	100%	2%	95%	0%	100%
NIKO	310-02700	T	9%	89%	9%	93%	6%	83%	7%	88%	6%	80%	13%	100%
NIKO	310-02800	T	2%	97%	1%	100%	1%	95%	4%	92%	2%	95%	2%	100%
OSRAM	HTI DALI 315 DIM	T	12%	100%	8%	97%	5%	96%	11%	100%	7%	100%	14%	100%
OSRAM	MCU Te250	T	6%	89%	5%	85%	4%	84%	11%	100%	5%	84%	9%	100%
Siemens	5TC8 284	T	10%	100%	6%	97%	3%	94%	10%	100%	4%	93%	5%	100%

* Functionality at the minimum load to be checked

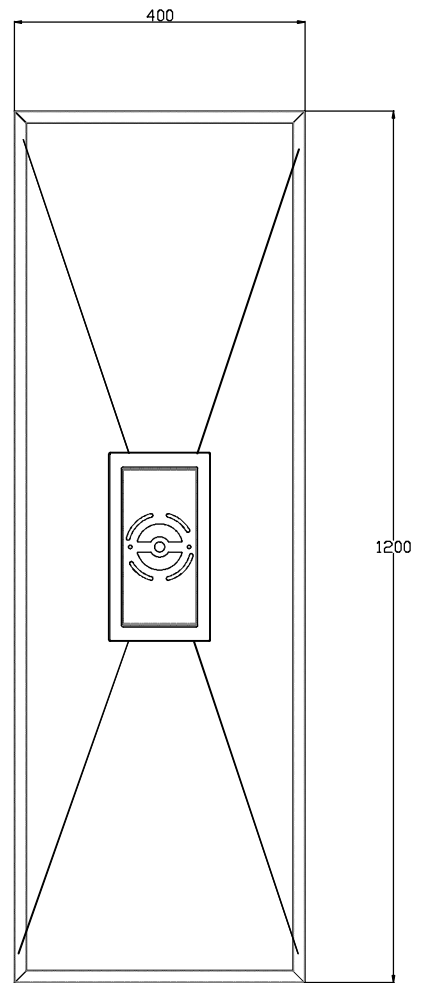
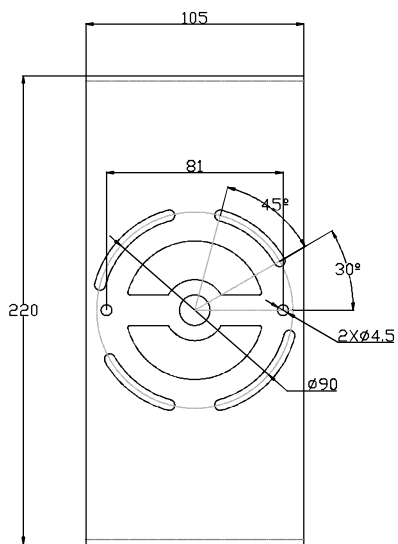
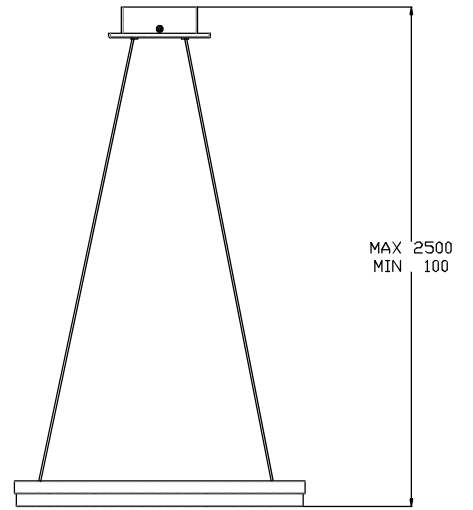
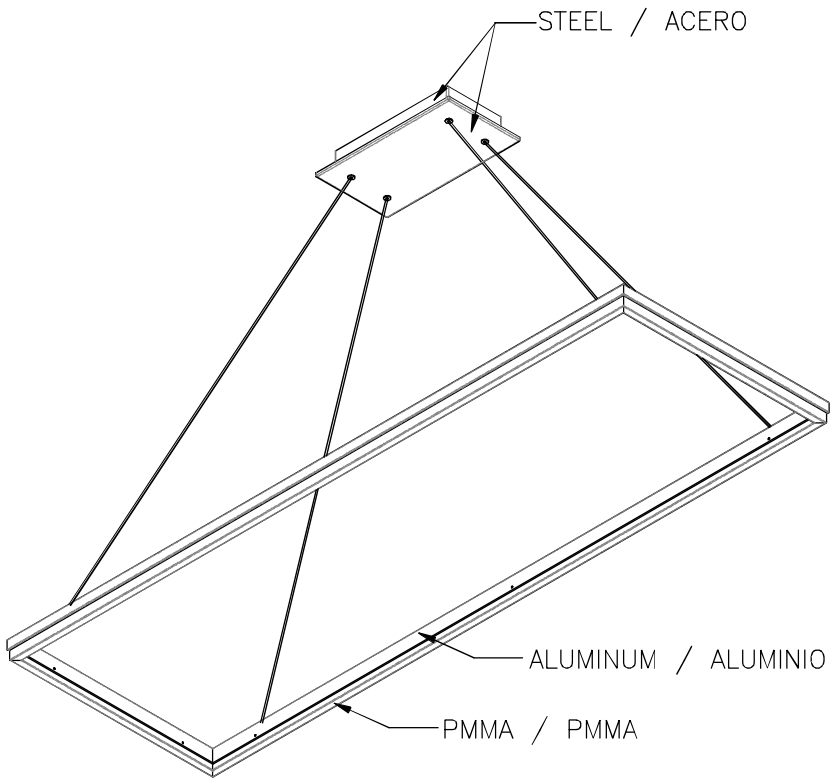
The list is tested by **one** dimmer with one driver

Compatibility proven in respect of linear dimming behaviour in the range given by the dimmer and absence of flashing and flickering.

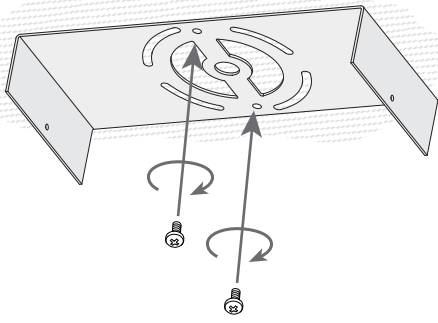
Max. dimming level depending on the construction of the dimmer

date 2014

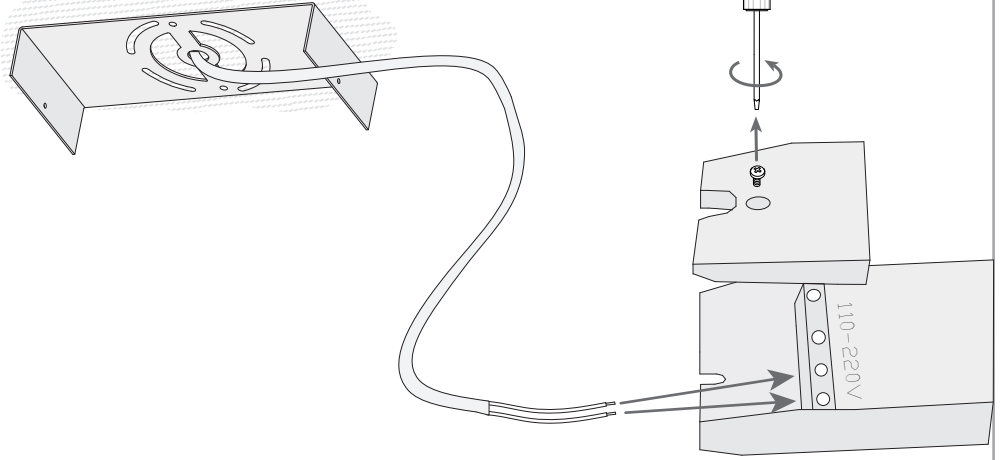




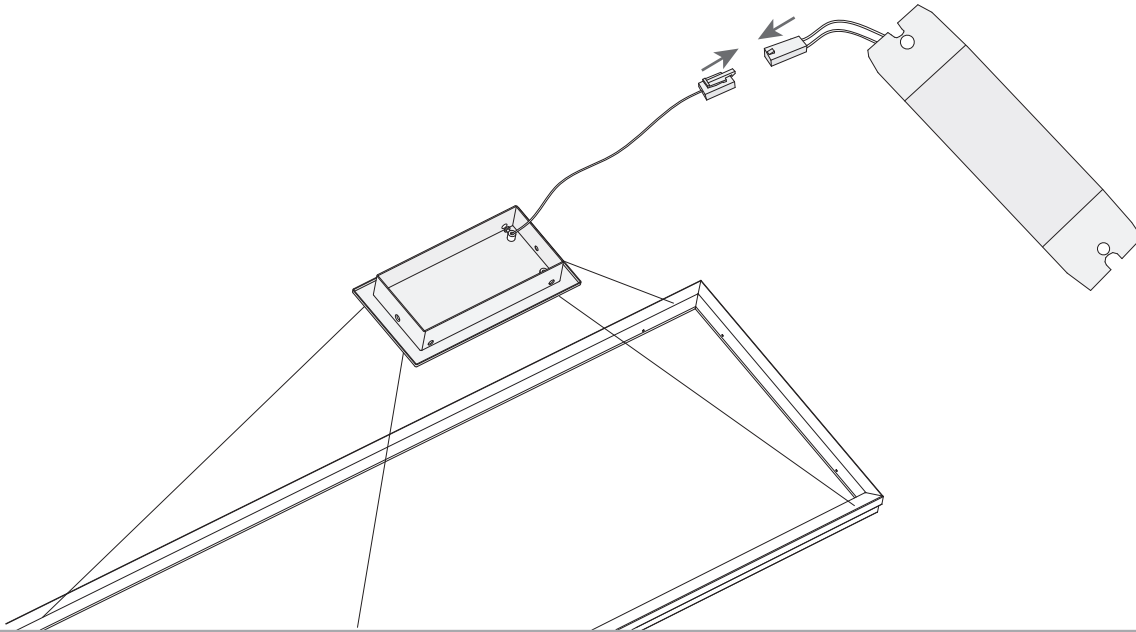
1



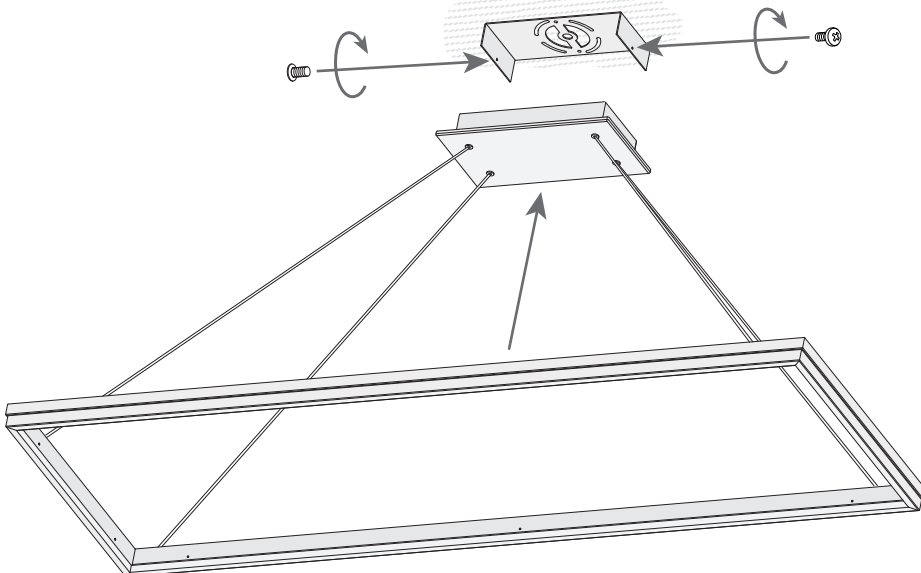
2



3



4



5

