

Bell Collection

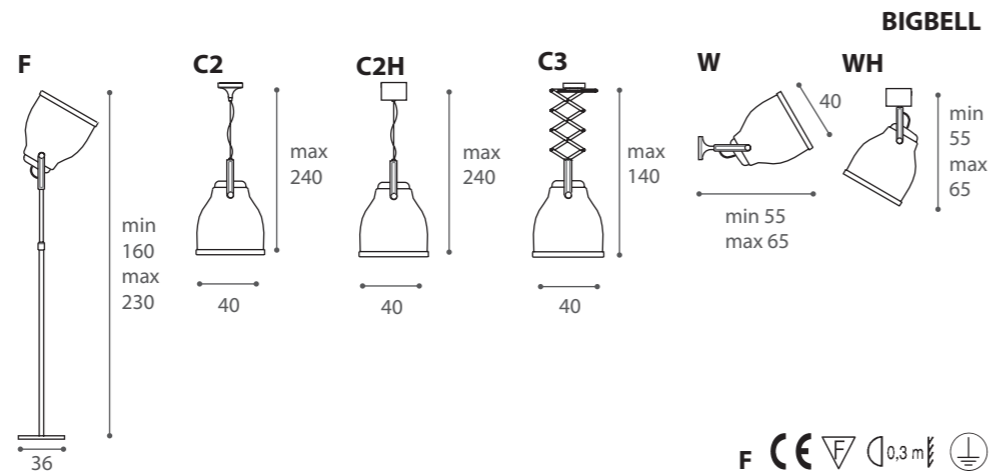
design Sergio Brioschi 1996/2003

Forme arrotondate in alluminio per diffusori con anima tecnica e cuore decorativo. In tre diverse dimensioni danno vita a tre collezioni compatibili, grazie alla loro stessa radice formale, dall'alta e differenziata possibilità di utilizzo.

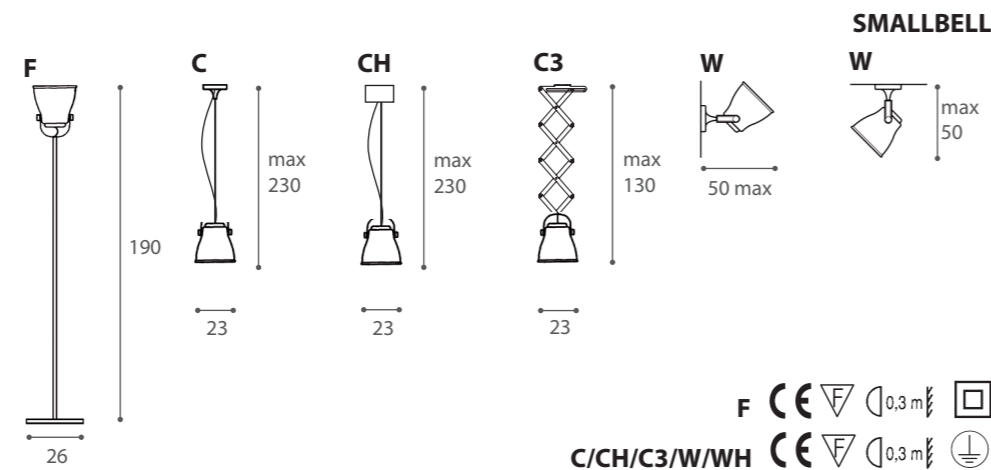
Materiali: alluminio anodizzato con diffusori in alluminio naturale, colorato blu, rosso, giallo, arancio, nero lucido, bianco lucido e bronzo.

Aluminium round shapes with a technical soul and a decorative heart. Available in three dimensions, create three compatible collection, thank their similar formal root, which gives a wide and different use's possibilities.

Materials: anodized aluminium with shades in natural aluminium, coloured blue, red, yellow, orange, glossy black, glossy white and bronze.



F 0,3 m
 C2/C2H/C3/W/WH 0,3 m



F 0,3 m
 C/CH/C3/W/WH 0,3 m



BIGBELL

F	Fluo E27 33W 2250lm	A Hal-eco E27 150W 2870lm	C LED E27 16W 1500lm	A+
C2	Fluo E27 33W 2250lm	A Hal-eco E27 105W 2000lm	C LED E27 16W 1500lm	A+
C2H	HQI/CDM E27 70W 6600lm	A+		
C3	Fluo E27 33W 2250lm	A Hal-eco E27 105W 2000lm	C LED E27 16W 1500lm	A+
W	Fluo E27 33W 2250lm	A Hal-eco E27 105W 2000lm	C LED E27 16W 1500lm	A+
WH	HQI/CDM E27 70W 6600lm	A+		

SMALLBELL

F	Fluo E27 20W 1160lm	A Hal-eco E27 105W 2000lm	C LED E27 16W 1500	
C	Fluo E27 20W 1160lm	A Hal-eco E27 105W 2000lm	C LED E27 16W 1500lm	A+
CH	HQI/CDM E27 70W 6600lm	A+		
C3	Fluo E27 20W 1160lm	A Hal-eco E27 105W 2000lm	C LED E27 16W 1500lm	A+
W	Fluo E27 20W 1160lm	A Hal-eco E27 105W 2000lm	C LED E27 16W 1500lm	A+
WH	HQI/CDM E27 70W 6600lm	A+		

MICROBELL

C5	LED GU10 7W	A+
C6	LED GU10 7W	A+
C3	LED GU10 7W	A+
C4	LED GU10 7W	A+

