





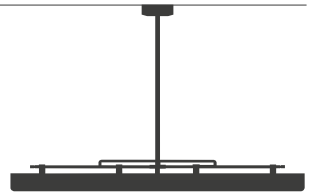
LUXOLINE

Design LINE INC.

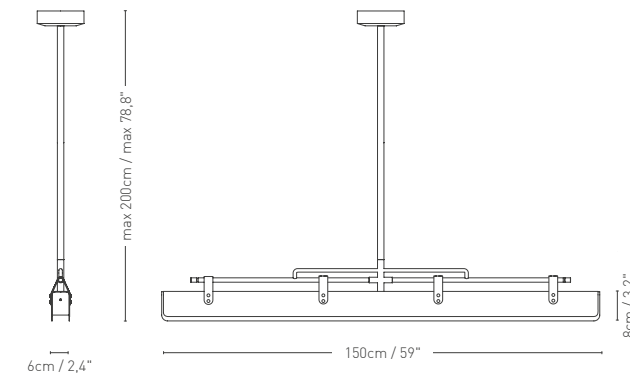
SOSPENSIONE / SUSPENSION

All'apparente semplicità della linea, LUXOLINE associa la ricercatezza delle lavorazioni metalliche e delle finiture. La versione con finitura in pelle esprime al meglio il magnifico connubio tra l'estetica, le forme e la funzione.

LUXOLINE combines the conspicuous care of its metal manufactures and its finishes to the apparent simplicity of its lines. The leather trim version best expresses the perfect match of beauty, forms and function.



INFO



MATERIAL: Metal + Leather
FINISHES:
CN Natural Leather + 152 Satin brass
CB Black Leather + 166 Satin Nickel
DIFFUSER: PMMA methacrylate diffuser
ELECTRONIC DRIVER:
Dimmable included TRIAC
LIGHT SOURCE: LED 1x30W
110/120V - 220/240V
3900lm 3000K CRI>90
ENERGY LABEL: A
CE  Classe I IP20

Mod. LUXOLINE Suspension