

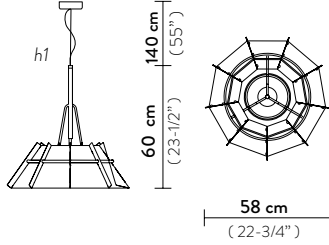


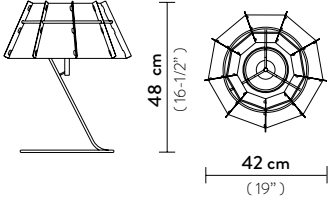


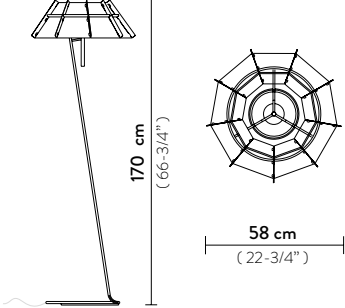
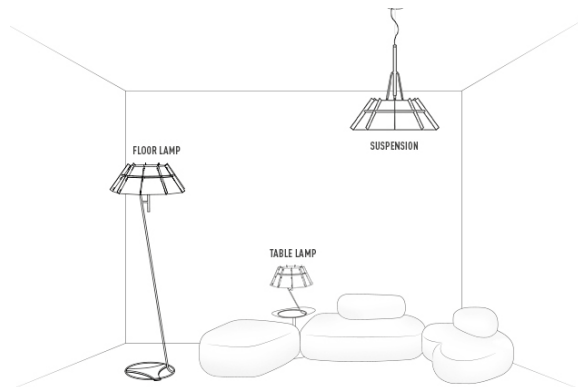


CHAPEAU design by Nigel Coates


PRODOTTI	MISURE	COLORI	CODICE
<p>SUSPENSION</p> <p>Bulbs E27:</p> <p> 1 X 10W LED Filament</p> <p>Made of: Polycarbonate / Stainless Steel</p> <p>Weight: net Kg 2,00 - gross Kg 2,80</p> <p>Package: 61 x 61 x h63cm</p> <p>CE IP 20 </p>	 <p>h1: maximum cable length</p>	<p>■ MIRROR / BLACK</p>	<p>CHA14SOS0000B_000</p>
<p>TABLE LAMP</p> <p>Bulbs E14:</p> <p> 1 X 5W LED Filament</p> <p>Made of: Polycarbonate / Stainless Steel</p> <p>With: Dimmer</p> <p>Weight: net Kg 1,30 - gross Kg 3,50</p> <p>Package: 47 x 47 x h63cm</p> <p>CE IP 20 </p>		<p>■ MIRROR / BLACK</p>	<p>CHA14TAV0000B_000</p>
<p>FLOOR LAMP</p> <p>Bulbs E27:</p> <p> 1 X 10W LED Filament</p> <p>Made of: Polycarbonate / Stainless Steel</p> <p>With: Dimmer</p> <p>Weight: net Kg 4,5 - gross Kg 6,0</p> <p>Package: A 2,00kg 60 x 60 x h30cm B 4,00kg 9 x 9 x h167cm</p> <p>CE IP 20 </p>		<p>■ MIRROR / BLACK</p>	<p>CHA14PST0000B_000</p>

CHAPEAU ENTIRE COLLECTION



ENERGY CLASS

This luminaire is compatible with bulbs of the energy classes:



SLAMP: CHAPEAU

874/2012

LED 