

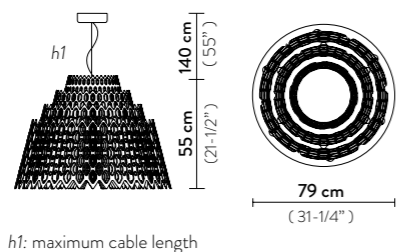




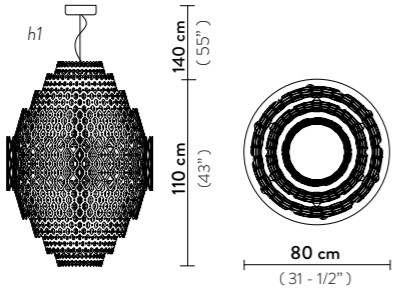
# HALF CHARLOTTE

 by Doriana and Massimiliano Fuksas Compendium page 40

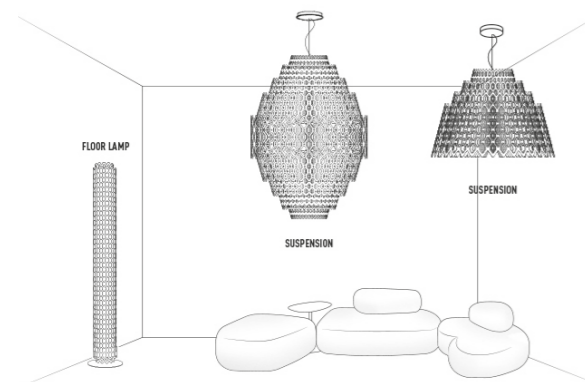
PRODOTTI	MISURE	COLORI	CODICE
<p><b>SUSPENSION</b></p> <p>LED:</p> <p>70W - 220V - 7.000 Lumen 2700 Kelvin (warm white) - CRI &gt; 90 Triac Dimmable (Trailing Edge min. 20W) Made of: Cristalflex® / Lentiflex®</p> <p>Weight: net Kg 5 - gross Kg 11,65 Package: 92 x 92 x h. 68 cm</p> <p>CE IP 20  </p>	 <p>h1: maximum cable length</p>	<p><input type="checkbox"/> WHITE</p>	<p>CHR88SOS0003W_000</p>

# CHARLOTTE


 design by Doriana and Massimiliano Fuksas Compendium page 40

PRODOTTI	MISURE	COLORI	CODICE
<p><b>SUSPENSION</b></p> <p>LED:</p> <p>140W - 220V - 14.000 Lumen 2700 Kelvin (warm white) - CRI &gt; 90 Triac Dimmable (Trailing Edge min. 20W) Made of: Cristalflex® / Lentiflex®</p> <p>Weight: net Kg 9 - gross Kg 22,5 Package: 95x 95 x h. 120 cm</p> <p>CE IP 20  </p>	 <p>h1: maximum cable length</p>	<p><input checked="" type="checkbox"/> ORANGE</p> <p><input type="checkbox"/> BLUE</p> <p><input type="checkbox"/> WHITE</p>	<p>CHR88SOS0004A_000</p> <p>CHR88SOS0004B_000</p> <p>CHR88SOS0004W_000</p>

## CHARLOTTE ENTIRE COLLECTION




## ENERGY CLASS

This luminaire contains built-in LED lamps. **A++** **A+** **A** **B** **C** **D** **E** } LED 

The lamp can be changed in the luminaire.

**SLAMP:** CHARLOTTE 874/2012



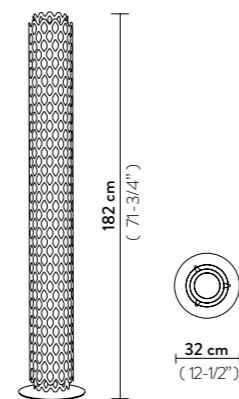
This luminaire contains built-in LED lamps. **A++** **A+** **A** **B** **C** **D** **E** } LED 

The lamp can be changed in the luminaire.

**SLAMP:** HALF CHARLOTTE 874/2012


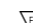
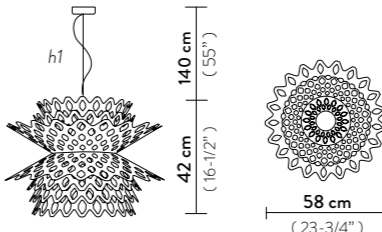
# CHARLOTTE FLOOR

 by Doriana and Massimiliano Fuksas Compendium page 40

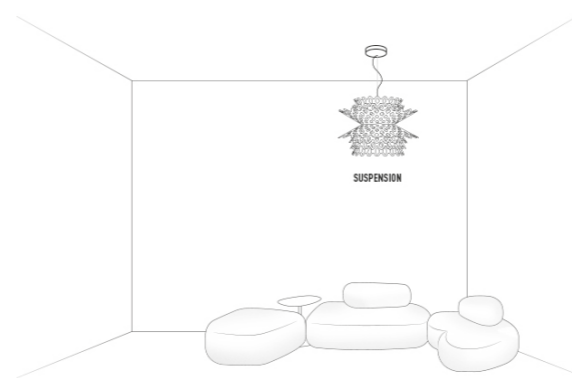
PRODOTTI	MISURE	COLORI	CODICE
<p><b>FLOOR</b></p> <p>LED:</p> <p>26W - 220V - 2.600 Lumen - 2700 Kelvin Triac Dimmable (Trailing Edge min. 20W)- CRI &gt; 90 Made of: Cristalflex® / Lentiflex® Stainless Steel Base</p> <p>Weight: net Kg 6 - gross Kg 11,2 Package: A: 35 x 38 x h.188 cm B: 47,5 x 47,5 x h. 7 cm</p> <p>CE IP 20  </p>		<p><input type="checkbox"/> WHITE</p>	<p>CHR88PST0000W_000</p>

# DESERT ROSE


 by Doriana and Massimiliano Fuksas Compendium page 114

PRODOTTI	MISURE	COLORI	CODICE
<p><b>SUSPENSION</b></p> <p>LED:</p> <p>35W - 220V - 3.500 Lumen 2700 Kelvin (warm white) - CRI 90 Triac Dimmable (Trailing Edge min. 20W) Made of: Cristalflex® or Goldflex® and Lentiflex®</p> <p>Weight: net Kg 2,4 - gross Kg 5 Package: 71 x 80 x 58,5 cm</p> <p>CE IP 20  </p>	 <p>h1: maximum cable length</p>	<p><input type="checkbox"/> WHITE</p> <p><input checked="" type="checkbox"/> GOLD</p>	<p>DES88SOS0000W_000</p> <p>DES88SOS00000_000</p>

## DESERT ROSE ENTIRE COLLECTION




## ENERGY CLASS

This luminaire contains built-in LED lamps. **A++** **A+** **A** **B** **C** **D** **E** } LED 

The lamp cannot be changed in the luminaire.

**SLAMP:** CHARLOTTE FLOOR 874/2012

This luminaire contains built-in LED lamps. **A++** **A+** **A** **B** **C** **D** **E** } LED 

The lamp can be changed in the luminaire.

**SLAMP:** DESERT ROSE 874/2012