

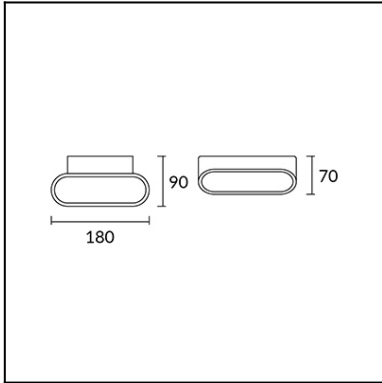
LEDS C4

OVAL

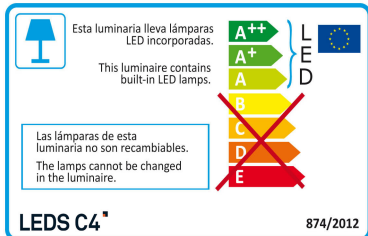
05-0070-S2-14



La finition de la photographie peut ne pas coïncider avec celle de la référence. Pour identifier la finition réelle, voir la description de cette dernière.



Download photometric file .ldt /.ies



Cliquez sur l'image pour télécharger l'étiquette-énergie

CARACTÉRISTIQUES TECHNIQUES

Type:	Applique
Indice de protection IP:	IP20
Source lumineuse 1:	1 x LED
Ampoule spécifiée sur l'étiquette du luminaire	4.8W Blanc chaud - 3 000 K 488 lm ^(N) CRI 80
Angle des lentilles / Réflecteur:	
Tension / Fréquence:	100-240VAC/50-60Hz
Garantie:	2
Possibilité d'extension de garantie:	5
Unités par caisse:	12
Poids net (kg):	0.600
Code EAN:	8435111090572



MATIÈRES / FINITIONS

Matière structure: Aluminium extrudé

Finition structure: Poli
Blanc mat

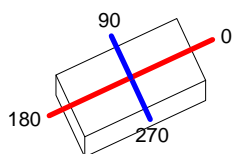
ÉQUIPEMENT

Équipement électronique multitension compris (OUI)

Luminaire		Measur.		Lamp		
Code	05-0070-S2-14	Code	05-0070-S2-14	Code	05-0070-14-14	
Name	Aplique led 4W	Name	Aplique led 4W	Number	1	
Line	Eulumdat	Date	15-02-2013	Position		
Efficiency	100.00%	Coordinate system	CG	Total Flux	339.55 lm	
Maximum value	128.24 cd	Position	C=90.00 G=110.00	Sym. on planes	270-90	
Rectangular Luminaire	Length	92 mm	Width	180 mm	Height	70 mm
Rectangular Luminous Area	Length	47 mm	Width	168 mm	Height	70 mm
Horizontal Luminous Area	0.007896 m2	Emitting area on Plane 180°	0.003290 m2			
Emitting area on Plane 0°	0.003290 m2	Emitting area on Plane 270°	0.011760 m2			
Emitting area on Plane 90°	0.011760 m2	Glare area at 76°	0.005102 m2			
Symmetry Type	Sym. on planes 270-90	Maximum Gamma Angle	180			
Measurement Distance	0.00	Measurement Flux	339.55 lm			
Operator	Asselum T2	Source voltage				
Temperature	25.00 °C	Source current				
Humidity	60.00 %	Photocell				
Notes						

Luminaire Lamps						
Line	Code	Name	Flux [lm]	Pow. [W]	Q.ty	
Eulumdat	05-0070-14-14	05-0070-14-14 - 4.00 W	339.55	4.00	1	
C.I.E.	30 64 87 38 100	D DIN 5040				
F UTE	0.38 I + 0.62 T	B NBN				D12 BZ 7 / 1 / BZ 6

92mm x 180mm



C Halfplanes

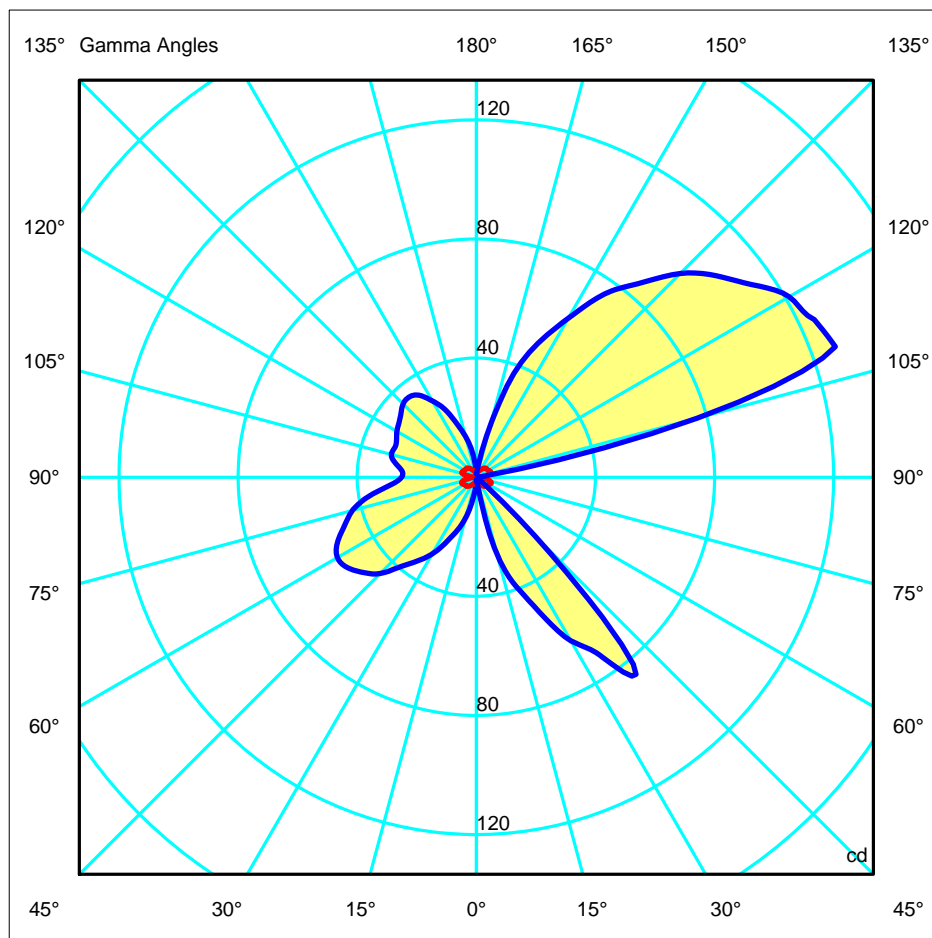
270.0 ——— 0.0

180.0 ——— 90.0

ULOR 62.15 %

DLOR 37.85 %

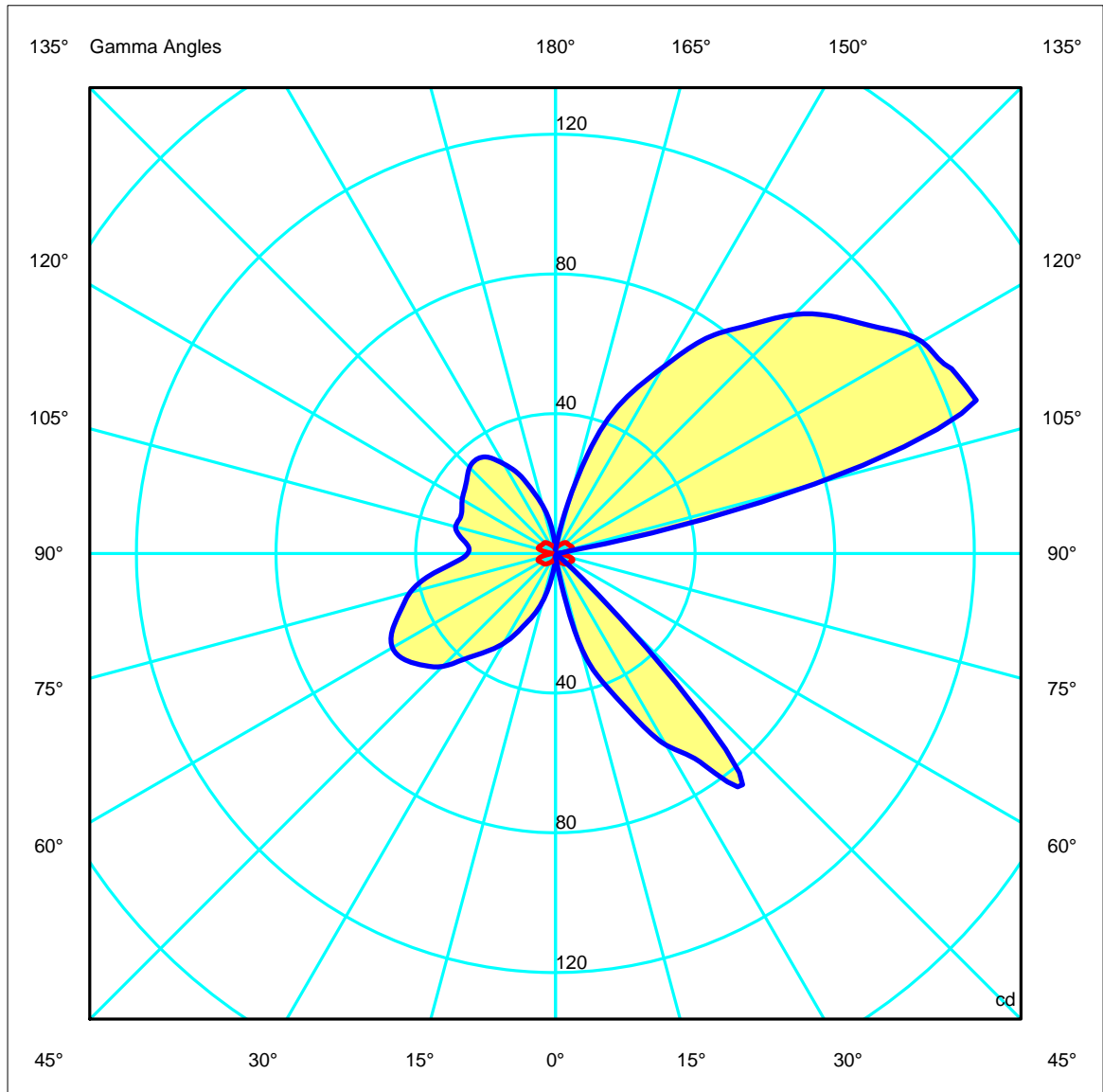
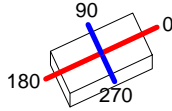
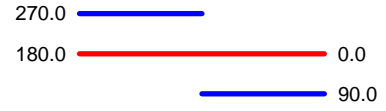
RN 62.15 %



Luminaire		Measur.		Lamp	
Code	05-0070-S2-14	Code	05-0070-S2-14	Code	05-0070-14-14
Name	Aplique led 4W	Name	Aplique led 4W	Number	1
Line	Eulumdat	Date	15-02-2013	Position	
Efficiency	100.00%	Coordinate system	CG	Total Flux	339.55 lm

92mm x 180mm

C Halfplanes



Luminaire		Measurem.		Lamp	
Code	05-0070-S2-14	Code	05-0070-S2-14	Code	05-0070-14-14
Name	Aplique led 4W	Name	Aplique led 4W	Number	1
Line	Eulmdat	Date	15-02-2013	Position	

Efficiency	100.00%	Coordinate system	CG	Total Flux	339.55 lm
------------	---------	-------------------	----	------------	-----------

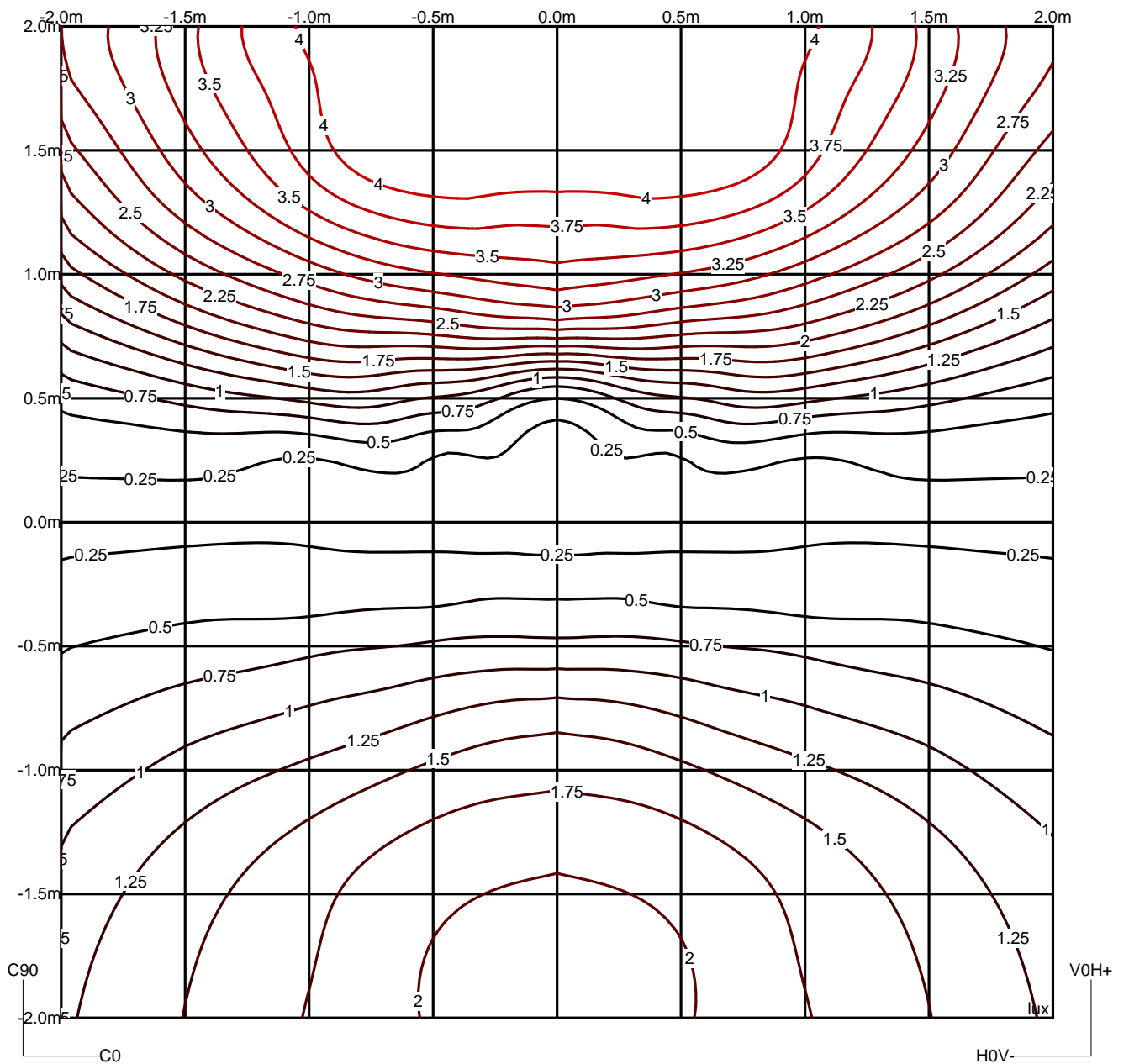
Could not find 90270 left beam angle•gamma0180=72

Luminaire Code 05-0070-S2-14 Name Aplique led 4W Line Eulumdat	Measur. Code 05-0070-S2-14 Name Aplique led 4W Date 15-02-2013	Lamp Code 05-0070-14-14 Number 1 Position
--------------------------------------------------------------------------------	--------------------------------------------------------------------------------	-----------------------------------------------------------

Efficiency 100.00%	Coordinate system CG	Total Flux 339.55 lm
--------------------	----------------------	----------------------

Isolux (Floor)

Luminaire position X=0.00m Y=0.00m Z=3.00m



Luminaire

 Code 05-0070-S2-14
 Name Aplique led 4W
 Line Eulumdat

Measur.

 Code 05-0070-S2-14
 Name Aplique led 4W
 Date 15-02-2013

Lamp

 Code 05-0070-14-14
 Number 1
 Position

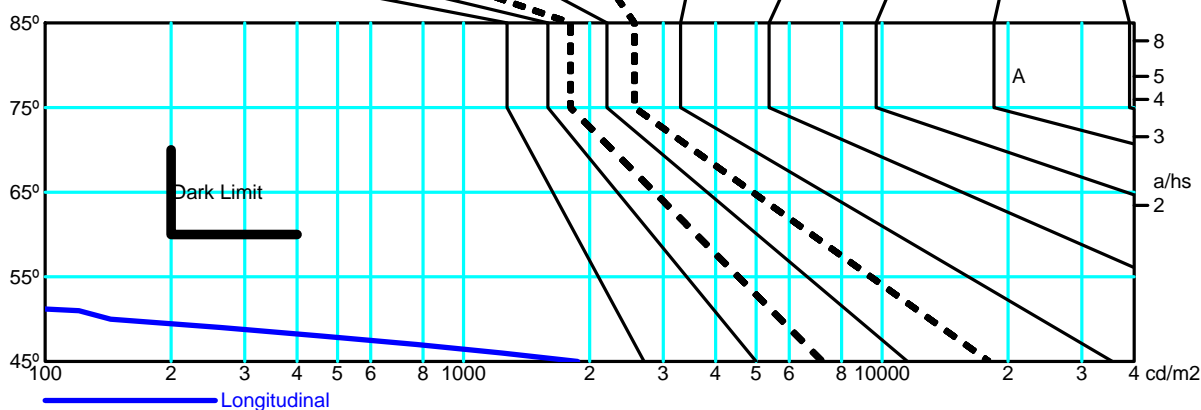
Efficiency 100.00%

Coordinate system CG

Total Flux 339.55 lm

		Average Luminance [cd/m ²]										
		0.0°	45°	50°	55°	60°	65°	70°	75°	80°	85°	
90.0°		1873	543	594	644	718	827	919	893	658	322	---
				143	30	35	29	29	33	34	36	---

Flush mounted or longitudinal view												
		Illumination(lx)										
A	A	2000	1000	750	500	<300						1.15
B	1		2000	1500	1000	750	500	<300				1.5
C					2000		1000	500	<300			1.85
D	2						2000	1000	500	<300		2.2
E	3							2000	1000	500	<300	2.55

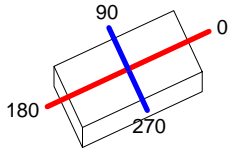


Flush mounted or transversal view												
		Illumination(lx)										
A	A	2000	1000	750	500	<300						1.15
B	1		2000	1500	1000	750	500	<300				1.5
C					2000		1000	500	<300			1.85
D	2						2000	1000	500	<300		2.2
E	3							2000	1000	500	<300	2.55



Luminaire		Measur.		Lamp	
Code	05-0070-S2-14	Code	05-0070-S2-14	Code	05-0070-14-14
Name	Aplique led 4W	Name	Aplique led 4W	Number	1
Line	Eulumdat	Date	15-02-2013	Position	
Efficiency	100.00%	Coordinate system	CG	Total Flux	339.55 lm

92mm x 180mm

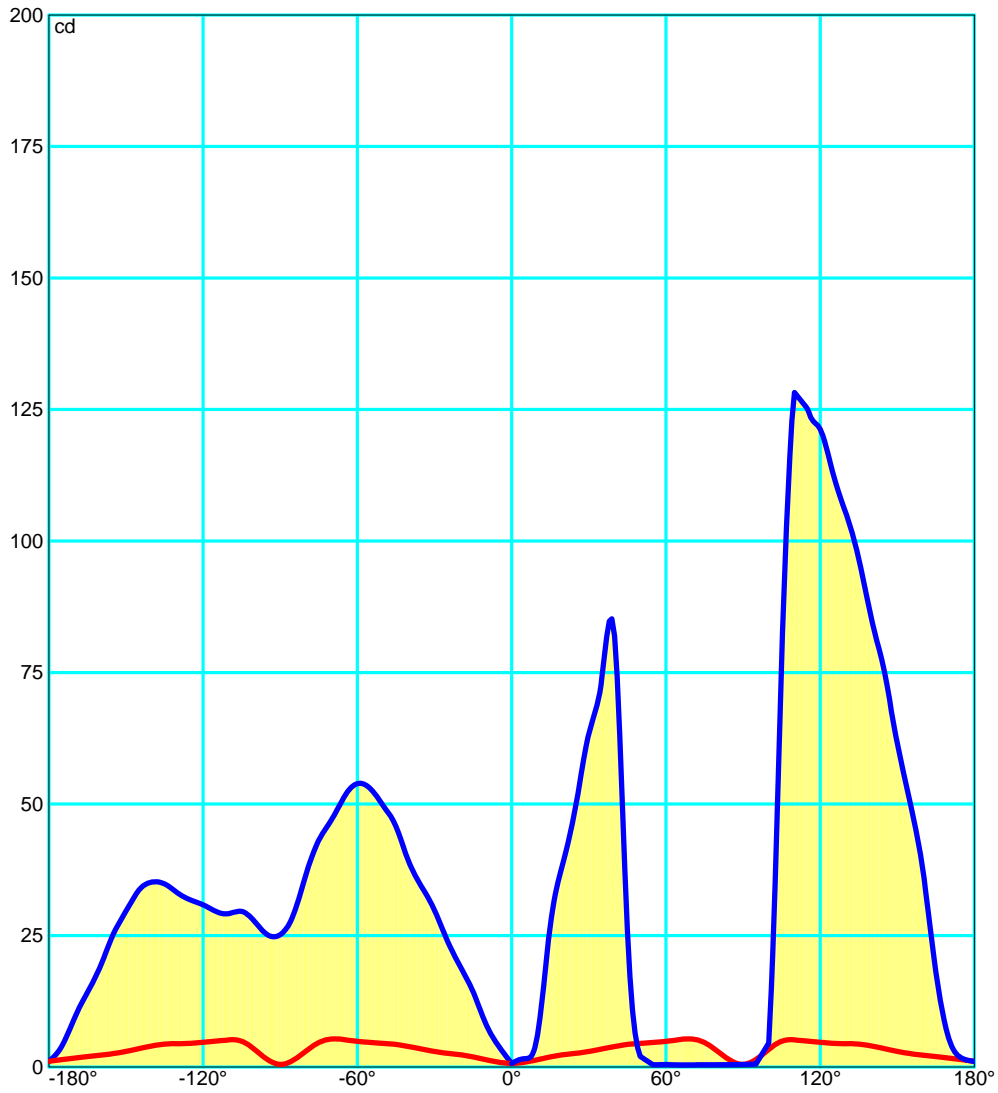


C Halfplanes

270.0 —

180.0 — 0.0

— 90.0



Luminaire		Measur.		Lamp	
Code	05-0070-S2-14	Code	05-0070-S2-14	Code	05-0070-14-14
Name	Aplique led 4W	Name	Aplique led 4W	Number	1
Line	Eulumdat	Date	15-02-2013	Position	
Efficiency	100.00%	Coordinate system	CG	Total Flux	339.55 lm

UGR
S = 0.250

Reflectancies										
Ceiling/Cavity	0.7	0.7	0.5	0.5	0.3	0.7	0.7	0.5	0.5	0.3
Walls	0.5	0.3	0.5	0.3	0.3	0.5	0.3	0.5	0.3	0.3
WorkingPlane	0.2	0.2	0.2	0.2	0.2	0.2	0.2	0.2	0.2	0.2
RoomDimensions	ViewedCrosswise					ViewedEndwise				
x=2H y=2H	10.1	10.9	11.1	11.9	18.1	14.9	15.7	15.9	16.8	18.1
x=2H y=3H	11.0	11.7	12.0	12.8	20.5	17.4	18.1	18.5	19.2	20.5
x=2H y=4H	11.2	11.9	12.3	12.9	21.6	18.5	19.2	19.5	20.2	21.6
x=2H y=6H	11.4	12.0	12.4	13.0	22.5	19.4	20.0	20.5	21.1	22.5
x=2H y=8H	11.4	11.9	12.4	13.0	22.8	19.8	20.4	20.9	21.4	22.8
x=2H y=12H	11.3	11.9	12.4	12.9	23.1	20.1	20.7	21.2	21.7	23.1
x=4H y=2H	11.4	12.1	12.5	13.1	18.6	15.5	16.2	16.6	17.2	18.6
x=4H y=3H	12.7	13.2	13.7	14.3	21.3	18.2	18.8	19.3	19.8	21.3
x=4H y=4H	13.1	13.6	14.2	14.7	22.4	19.4	19.9	20.5	21.0	22.4
x=4H y=6H	13.3	13.8	14.4	14.8	23.5	20.5	21.0	21.6	22.0	23.5
x=4H y=8H	13.4	13.7	14.4	14.8	23.9	21.0	21.4	22.1	22.5	23.9
x=4H y=12H	13.3	13.7	14.4	14.8	24.3	21.3	21.7	22.5	22.8	24.3
x=8H y=4H	14.2	14.6	15.3	15.7	22.6	19.7	20.1	20.8	21.2	22.6
x=8H y=6H	14.7	15.0	15.8	16.1	23.9	21.0	21.3	22.1	22.4	23.9
x=8H y=8H	14.8	15.1	16.0	16.2	24.5	21.6	21.8	22.7	22.9	24.5
x=8H y=12H	14.9	15.1	16.0	16.3	25.0	22.1	22.3	23.2	23.5	25.0
x=12H y=4H	14.4	14.7	15.5	15.8	22.6	19.6	20.0	20.8	21.1	22.6
x=12H y=6H	15.1	15.3	16.2	16.4	23.9	21.0	21.3	22.1	22.4	23.9
x=12H y=8H	15.3	15.5	16.4	16.7	24.5	21.6	21.9	22.8	23.0	24.5

Luminaire

 Code 05-0070-S2-14
 Name Aplique led 4W
 Line Eulumdat

Measur.

 Code 05-0070-S2-14
 Name Aplique led 4W
 Date 15-02-2013

Lamp

 Code 05-0070-14-14
 Number 1
 Position

Efficiency	100.00%	Coordinate system	CG	Total Flux	339.55 lm
------------	---------	-------------------	----	------------	-----------

Total Flux=339.55 Luminaire Flux=339.55

RI	0.60	0.80	1.00	1.25	1.50	2.00	2.50	3.00	4.00	5.00	10.00	20.00
DRR	0.17	0.26	0.33	0.40	0.46	0.55	0.61	0.66	0.72	0.76	0.86	0.92
RC	9	8	8	8	8	7	7	7	7	7	7	7

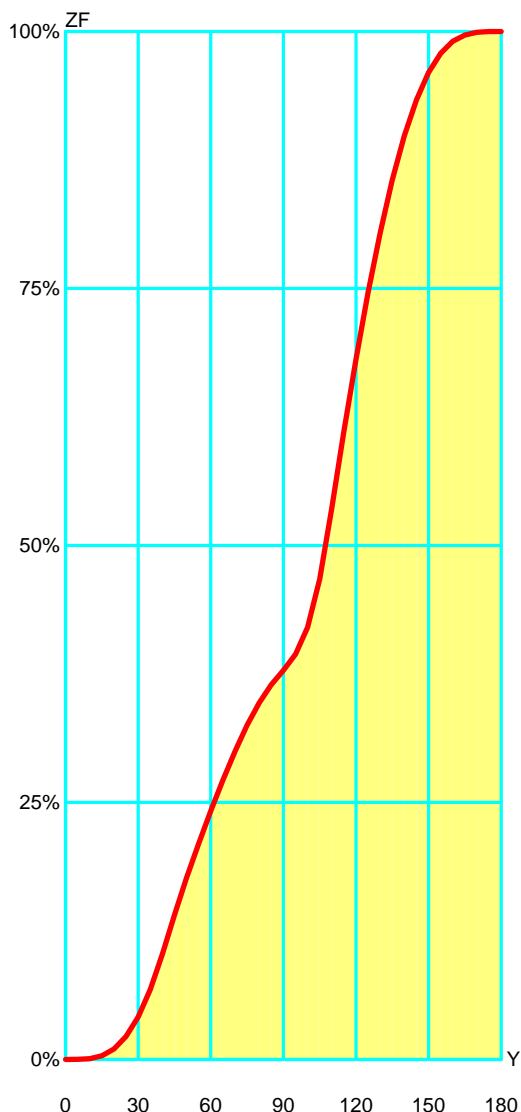
Zonal Flux per 1000 Lumen

Y°	10	20	30	40	50	60	70	80	90	100	110	120	130	140	150	160	170	180
ZF(Y)	1	10	41	103	177	242	300	347	378	420	536	681	804	899	960	990	999	1000

CIE Flux Codes

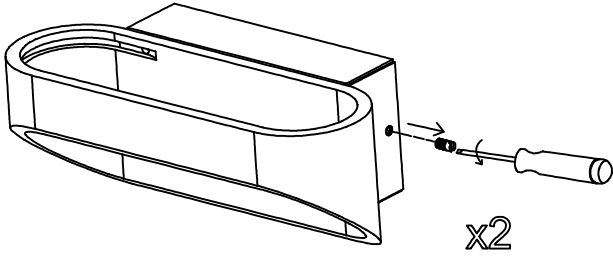
30 64 87 38 100

C.I.E.	9/8/8/8/7/7/7/7/7/7/7	LOR	100.00000 %
D DIN 5040	D12	ULOR	62.15376 %
F UTE	0.38 I + 0.62 T	DLOR	37.84624 %
B NBN	BZ 7 / 1 / BZ 6	UFF	62.15376 %
RN	62.15376 %	DFF	37.84624 %
BLF	1.0	FFR	164.22704 %

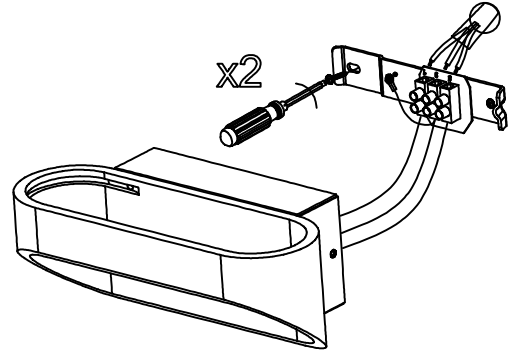
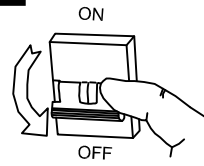


Zonal Flux				
Gamma °	Flux	Sum lm	Flux [%]	Sum [%]
0°	0.00	0.00	0.00%	0.00%
5°	0.10	0.10	0.01%	0.01%
10°	0.71	0.81	0.07%	0.08%
15°	2.74	3.55	0.27%	0.36%
20°	6.77	10.32	0.68%	1.03%
25°	12.15	22.47	1.22%	2.25%
30°	18.91	41.39	1.89%	4.14%
35°	26.58	67.97	2.66%	6.80%
40°	34.55	102.51	3.45%	10.25%
45°	38.25	140.76	3.82%	14.08%
50°	35.95	176.71	3.59%	17.67%
55°	33.30	210.01	3.33%	21.00%
60°	31.72	241.72	3.17%	24.17%
65°	30.03	271.75	3.00%	27.18%
70°	28.00	299.76	2.80%	29.98%
75°	25.34	325.10	2.53%	32.51%
80°	21.76	346.86	2.18%	34.69%
85°	17.59	364.45	1.76%	36.45%
90°	14.01	378.46	1.40%	37.85%
95°	15.82	394.28	1.58%	39.43%
100°	26.04	420.32	2.60%	42.03%
105°	46.96	467.28	4.70%	46.73%
110°	68.74	536.02	6.87%	53.60%
115°	74.95	610.97	7.49%	61.10%
120°	70.40	681.36	7.04%	68.14%
125°	64.58	745.95	6.46%	74.59%
130°	58.34	804.29	5.83%	80.43%
135°	51.24	855.53	5.12%	85.55%
140°	43.26	898.78	4.33%	89.88%
145°	34.87	933.65	3.49%	93.37%
150°	26.46	960.11	2.65%	96.01%
155°	18.59	978.70	1.86%	97.87%
160°	11.69	990.39	1.17%	99.04%
165°	6.16	996.55	0.62%	99.66%
170°	2.55	999.10	0.26%	99.91%
175°	0.77	999.88	0.08%	99.99%
180°	0.12	1000.00	0.01%	100.00%

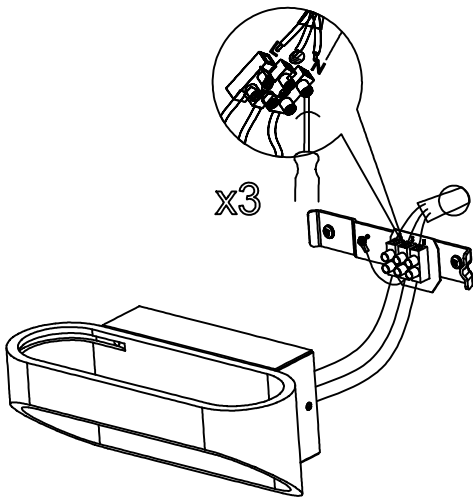
1



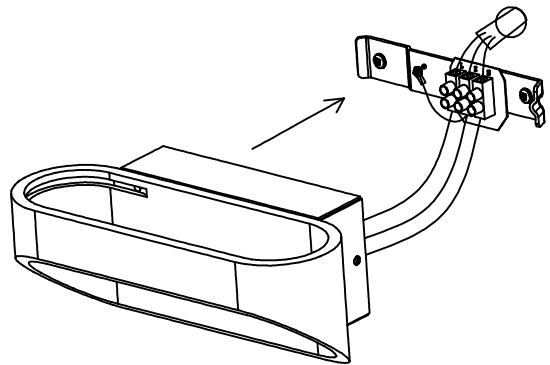
2



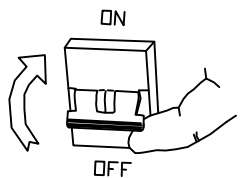
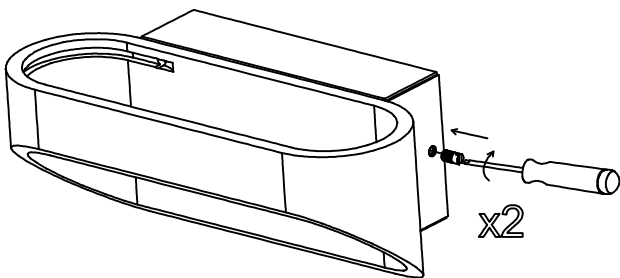
3



4



5



6

