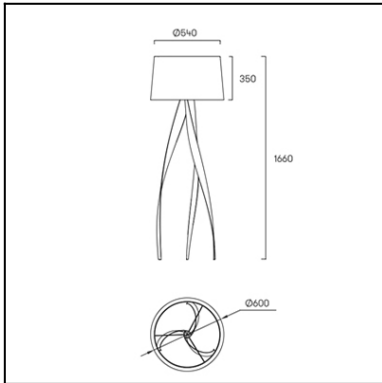




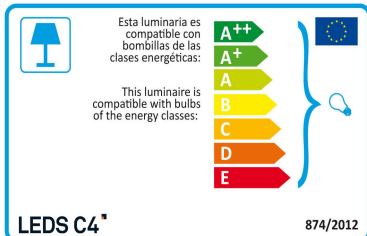
Design by Ramon Valls



La finition de la photographie peut ne pas coïncider avec celle de la référence. Pour identifier la finition réelle, voir la description de cette dernière.



Download photometric file .ldt /.ies



Cliquez sur l'image pour télécharger l'étiquette-énergie

CARACTÉRISTIQUES TECHNIQUES

Type:	Lampadaire
Indice de protection IP:	IP20
Source lumineuse 1: Ampoule spécifiée sur l'étiquette du luminaire	1 x E27 30W
Consommation totale (W):	30
Angle des lentilles / Réflecteur:	
Tension / Fréquence:	220-240V/50-60Hz
Garantie:	2
Unités par caisse:	1
Poids net (kg):	3.060
Code EAN:	8435381408411



MATIÈRES / FINITIONS

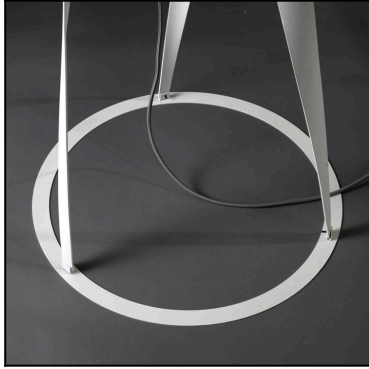
Matière structure: Aluminium peint

Matière diffuseur: Abat-jour en PMMA

Finition structure: Blanc mat

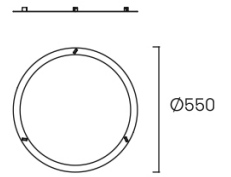
Finition diffuseur: Blanc

71-1759-BW-BW



Accessoire pour zones de passage

Matière structure: Acier
Finition structure: Blanc mat

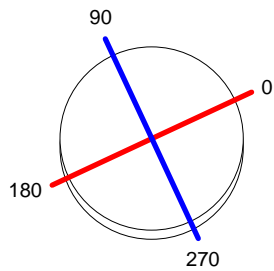


IP20

Luminaire		Measur.		Lamp	
Code	25-1823-BW-T002	Code	25-1823-BW-T002	Code	DLX EL FCY 18W827E27
Name	Pie ESTRUC 18W TC N192 T002	Name	Pie ESTRUC 18W TC Tela T002	Number	1
Line	- LEDS-C4	Date	22-07-2013	Position	Universal
Efficiency	61.41%	Coordinate system	CG	Total Flux	1100.00 lm
Maximum value	131.72 cd	Position	C=30.00 G=125.00	Asymmetrical	
Round Luminaire	Diam.	600 mm	Height	355 mm	
Round Luminous Area	Diam.	600 mm	Height	355 mm	
Horizontal Luminous Area	0.282743 m2	Emitting area on Plane 180°	0.213000 m2		
Emitting area on Plane 0°	0.213000 m2	Emitting area on Plane 270°	0.213000 m2		
Emitting area on Plane 90°	0.213000 m2	Glare area at 76°	0.275075 m2		
Symmetry Type	Asymmetrical	Maximum Gamma Angle	180		
Measurement Distance	6.44	Measurement Flux	917.00 lm		
Operator	Asselum T2	Source voltage	230.00 V		
Temperature	25.00 °C	Source current	PRC		
Humidity	53.00 %	Photocell			
Notes					

Luminaire Lamps					
Line	Code	Name	Flux [lm]	Pow. [W]	Q.ty
OSRAM 2006 FB,T,G,C,FS,Q,M,D	DLX EL FCY 18W827E27	DULUX® EL FACILITY 18W/827 E27	1100.00	18.00	1
C.I.E.	32 79 95 39 61	D DIN 5040	D22		
F UTE	0.24 I + 0.38 T	B NBN	BZ 6 / 1.25 / BZ 5		

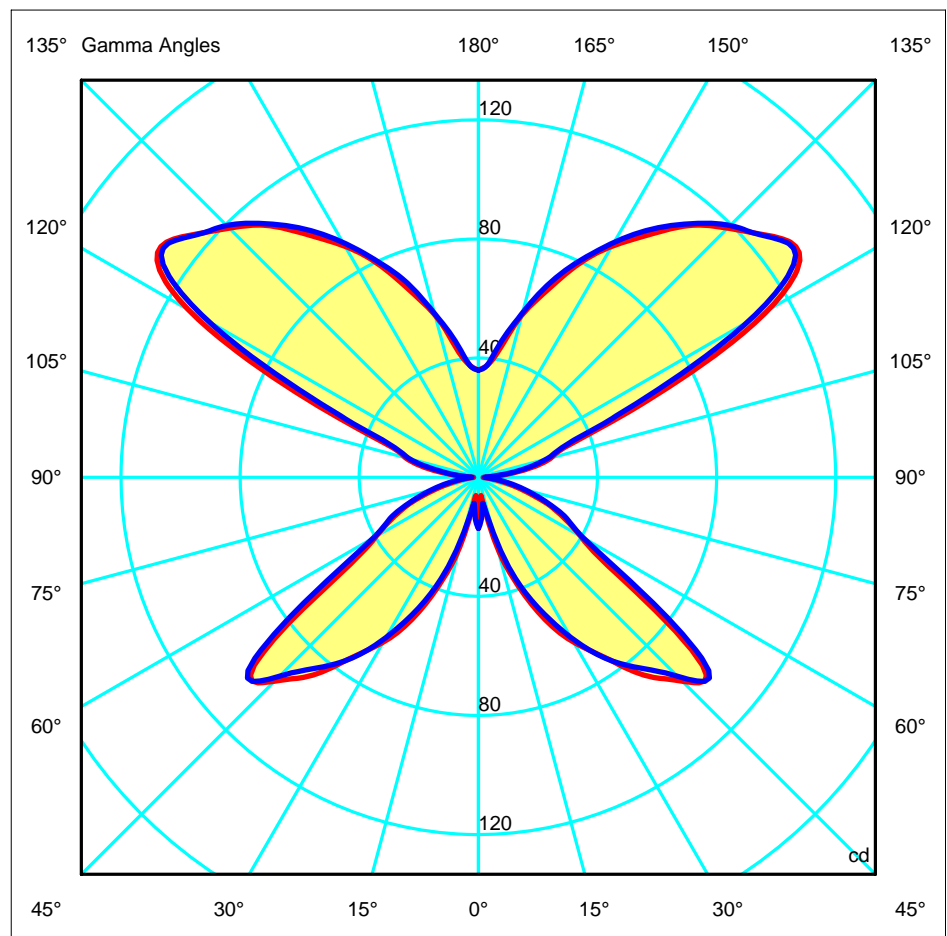
Diam=600mm



C Halfplanes

180.0 — 0.0
270.0 — 90.0

ULOR 37.58 %
DLOR 23.83 %
RN 61.20 %



Luminaire	Measur.	Lamp
Code 25-1823-BW-T002	Code 25-1823-BW-T002	Code DLX EL FCY 18W827E27
Name Pie ESTRUC 18W TC N192 T002	Name Pie ESTRUC 18W TC Tela T002	Number 1
Line - LEDS-C4	Date 22-07-2013	Position Universal

Efficiency	61.41%												Coordinate system	CG	Total Flux	1100.00 lm
Luminous Intensity Table cd													Table 1/1			
	C 0.00	C 15.00	C 30.00	C 45.00	C 60.00	C 75.00	C 90.00	C 105.00	C 120.00	C 135.00	C 150.00	C 165.00				
G 0.0	17.14	17.14	17.14	17.14	17.14	17.14	17.14	17.14	17.14	17.14	17.14	17.14	17.14			
G 5.0	8.63	10.09	13.74	10.86	13.50	10.22	13.11	10.22	13.50	10.86	13.74	10.09	8.63			
G 10.0	7.96	7.64	7.66	8.98	8.51	9.00	8.91	9.00	8.51	8.98	7.66	7.64	7.96			
G 15.0	24.23	18.95	17.65	18.28	20.24	21.90	19.33	21.90	20.24	18.28	17.65	18.95	24.23			
G 20.0	38.45	35.08	35.32	34.86	34.74	36.36	36.09	36.36	34.74	34.86	35.32	35.08	38.45			
G 25.0	52.50	49.21	49.52	48.34	48.10	49.72	49.11	49.72	48.10	48.34	49.52	49.21	52.50			
G 30.0	63.97	61.94	62.75	60.53	61.54	62.26	62.12	62.26	61.54	60.53	62.75	61.94	63.97			
G 35.0	73.83	72.77	74.48	72.23	73.07	72.18	74.15	72.18	73.07	72.23	74.48	72.77	73.83			
G 40.0	86.81	82.86	85.48	81.46	83.60	81.69	83.44	81.69	83.60	81.46	85.48	82.86	86.81			
G 45.0	96.81	91.48	95.83	92.12	94.40	89.92	94.45	89.92	94.40	92.12	95.83	91.48	96.81			
G 50.0	98.25	94.07	103.60	88.87	101.92	86.67	101.00	86.67	101.92	88.87	103.60	94.07	98.25			
G 55.0	57.29	64.94	66.78	63.73	64.90	66.35	66.08	66.35	64.90	63.73	66.78	64.94	57.29			
G 60.0	39.67	41.52	41.49	42.08	41.11	41.88	40.73	41.88	41.11	42.08	41.49	41.52	39.67			
G 65.0	31.17	33.07	33.31	34.06	32.99	33.25	32.72	33.25	32.99	34.06	33.31	33.07	31.17			
G 70.0	23.04	24.82	24.52	24.41	24.39	25.28	24.14	25.28	24.39	24.41	24.52	24.82	23.04			
G 75.0	13.60	15.64	15.75	16.68	16.25	16.42	16.35	16.42	16.25	16.68	15.75	15.64	13.60			
G 80.0	7.83	9.17	9.05	9.27	9.16	9.93	9.55	9.93	9.16	9.27	9.05	9.17	7.83			
G 85.0	2.96	4.20	4.21	4.61	4.32	4.79	4.38	4.79	4.32	4.61	4.21	4.20	2.96			
G 90.0	1.93	2.03	1.98	2.57	2.13	3.73	2.20	3.73	2.13	2.57	1.98	2.03	1.93			
G 95.0	7.70	6.70	6.54	6.93	6.59	7.00	6.90	7.00	6.59	6.93	6.54	6.70	7.70			
G100.0	17.49	15.46	15.04	14.64	15.03	15.40	14.58	15.40	15.03	14.64	15.04	15.46	17.49			
G105.0	25.34	23.11	23.92	24.08	23.75	23.27	24.08	23.27	23.75	24.08	23.92	23.11	25.34			
G110.0	33.57	30.89	31.38	32.94	31.05	35.13	30.90	35.13	31.05	32.94	31.38	30.89	33.57			
G115.0	67.67	55.68	57.10	57.26	58.06	60.59	58.23	60.59	58.06	57.26	57.10	55.68	67.67			
G120.0	112.41	96.22	103.25	97.41	103.50	98.16	104.38	98.16	103.50	97.41	103.25	96.22	112.41			
G125.0	131.52	121.67	131.72	119.33	129.89	117.80	130.04	117.80	129.89	119.33	131.72	121.67	131.52			
G130.0	126.43	121.27	127.46	121.01	126.00	120.83	125.87	120.83	126.00	121.01	127.46	121.27	126.43			
G135.0	118.30	114.73	120.15	115.52	119.22	114.51	119.55	114.51	119.22	115.52	120.15	114.73	118.30			
G140.0	110.37	107.88	111.81	107.45	110.57	107.68	111.13	107.68	110.57	107.45	111.81	107.88	110.37			
G145.0	99.29	99.17	102.53	99.44	101.56	99.24	101.74	99.24	101.56	99.44	102.53	99.17	99.29			
G150.0	89.55	89.56	91.76	89.95	91.23	89.64	91.05	89.64	91.23	89.95	91.76	89.56	89.55			
G155.0	78.69	79.10	80.47	79.23	80.66	79.45	79.92	79.45	80.66	79.23	80.47	79.10	78.69			
G160.0	66.44	68.28	69.42	68.96	69.09	68.07	69.21	68.07	69.09	68.96	69.42	68.28	66.44			
G165.0	56.32	58.47	58.31	57.21	57.76	57.80	56.89	57.80	57.76	58.47	58.31	56.32	56.32			
G170.0	44.72	47.93	47.34	47.78	46.63	47.12	47.09	47.12	46.63	47.78	47.34	47.93	44.72			
G175.0	38.03	39.41	39.16	39.08	38.52	39.28	38.31	39.28	38.52	39.08	39.16	39.41	38.03			
G180.0	36.02	36.02	36.02	36.02	36.02	36.02	36.02	36.02	36.02	36.02	36.02	36.02	36.02			

	C 180.00	C 195.00	C 210.00	C 225.00	C 240.00	C 255.00	C 270.00	C 285.00	C 300.00	C 315.00	C 330.00	C 345.00
G 0.0	17.14	17.14	17.14	17.14	17.14	17.14	17.14	17.14	17.14	17.14	17.14	17.14
G 5.0	8.63	10.09	13.74	10.86	13.50	10.22	13.11	10.22	13.50	10.86	13.74	10.09
G 10.0	7.96	7.64	7.66	8.98	8.51	9.00	8.91	9.00	8.51	8.98	7.66	7.64
G 15.0	24.23	18.95	17.65	18.28	20.24	21.90	19.33	21.90	20.24	18.28	17.65	18.95
G 20.0	38.45	35.08	35.32	34.86	34.74	36.36	36.09	36.36	34.74	34.86	35.32	35.08
G 25.0	52.50	49.21	49.52	48.34	48.10	49.72	49.11	49.72	48.10	48.34	49.52	49.21
G 30.0	63.97	61.94	62.75	60.53	61.54	62.26	62.12	62.26	61.54	60.53	62.75	61.94
G 35.0	73.83	72.77	74.48	72.23	73.07	72.18	74.15	72.18	73.07	72.23	74.48	72.77
G 40.0	86.81	82.86	85.48	81.46	83.60	81.69	83.44	81.69	83.60	81.46	85.48	82.86
G 45.0	96.81	91.48	95.83	92.12	94.40	89.92	94.45	89.92	94.40	92.12	95.83	91.48
G 50.0	98.25	94.07	103.60	88.87	101.92	86.67	101.00	86.67	101.92	88.87	103.60	94.07
G 55.0	57.29	64.94	66.78	63.73	64.90	66.35	66.08	66.35	64.90	63.73	66.78	64.94
G 60.0	39.67	41.52	41.49	42.08	41.11	41.88	40.73	41.88	41.11	42.08	41.49	41.52
G 65.0	31.17	33.07	33.31	34.06	32.99	33.25	32.72	33.25	32.99	34.06	33.31	33.07
G 70.0	23.04	24.82	24.52	24.41	24.39	25.28	24.14	25.28	24.39	24.41	24.52	24.82
G 75.0	13.60	15.64	15.75	16.68	16.25	16.42	16.35	16.42	16.25	16.68	15.75	15.64
G 80.0	7.83	9.17	9.05	9.27	9.16	9.93	9.55	9.93	9.16	9.27	9.05	9.17
G 85.0	2.96	4.20	4.21	4.61	4.32	4.79	4.38	4.79	4.32	4.61	4.21	4.20
G 90.0	1.93	2.03	1.98	2.57	2.13	3.73	2.20	3.73	2.13	2.57	1.98	2.03
G 95.0	7.70	6.70	6.54	6.93	6.59	7.00	6.90	7.00	6.59	6.93	6.54	6.70
G100.0	17.49	15.46	15.04	14.64	15.03	15.40	14.58	15.40	15.03	14.64	15.04	15.46
G105.0	25.34	23.11	23.92	24.08	23.75	23.27	24.08	23.27	23.75	24.08	23.92	23.11
G110.0	33.57	30.89	31.38	32.94	31.05	35.13	30.90	35.13	31.05	32.94	31.38	30.89
G115.0	67.67	55.68	57.10	57.26	58.06	60.59	58.23	60.59	58.06	57.26	57.10	55.68
G120.0	112.41	96.22	103.25	97.41	103.50	98.16	104.38	98.16	103.50	97.41	103.25	96.22
G125.0	131.52	121.67	131.72	119.33	129.89	117.80	130.04	117.80	129.89	119.33	131.72	121.67
G130.0	126.43	121.27	127.46	121.01	126.00	120.83	125.87	120.83	126.00	121.01	127.46	121.27
G135.0	118.30	114.73	120.15	115.52	119.22	114.51	119.55	114.51	119.22	115.52	120.15	114.73
G140.0	110.37	107.88	111.81	107.45	110.57	107.68	111.13	107.68	110.57	107.45	111.81	107.88
G145.0	99.29	99.17	102.53	99.44	101.56	99.24	101.74	99.24	101.56	99.44	102.53	99.17
G150.0	89.55	89.56	91.76	89.95	91.23	89.64	91.05	89.64	91.23	89.95	91.76	89.56
G155.0	78.69	79.10	80.47	79.23	80.66	79.45	79.92	79.45	80.66	79.23	80.47	79.10
G160.0	66.44	68.28	69.42	68.96	69.09	68.07	69.21	68.07	69.09	68.96	69.42	68.28
G165.0	56.32	58.47	58.31	57.21	57.76	57.80	56.89	57.80	57.76	58.47	58.31	56.32
G170.0	44.72	47.93	47.34	47.78	46.63	47.12	47.09	47.12	46.63	47.78	47.34	47.93
G175.0	38.03	39.41	39.16	39.08	38.52	39.28	38.31	39.28	38.52	39.08	39.16	39.41
G180.0	36.02	36.02	36.02	36.02	36.02	36.02	36.02	36.02	36.02	36.02	36.02	36.02

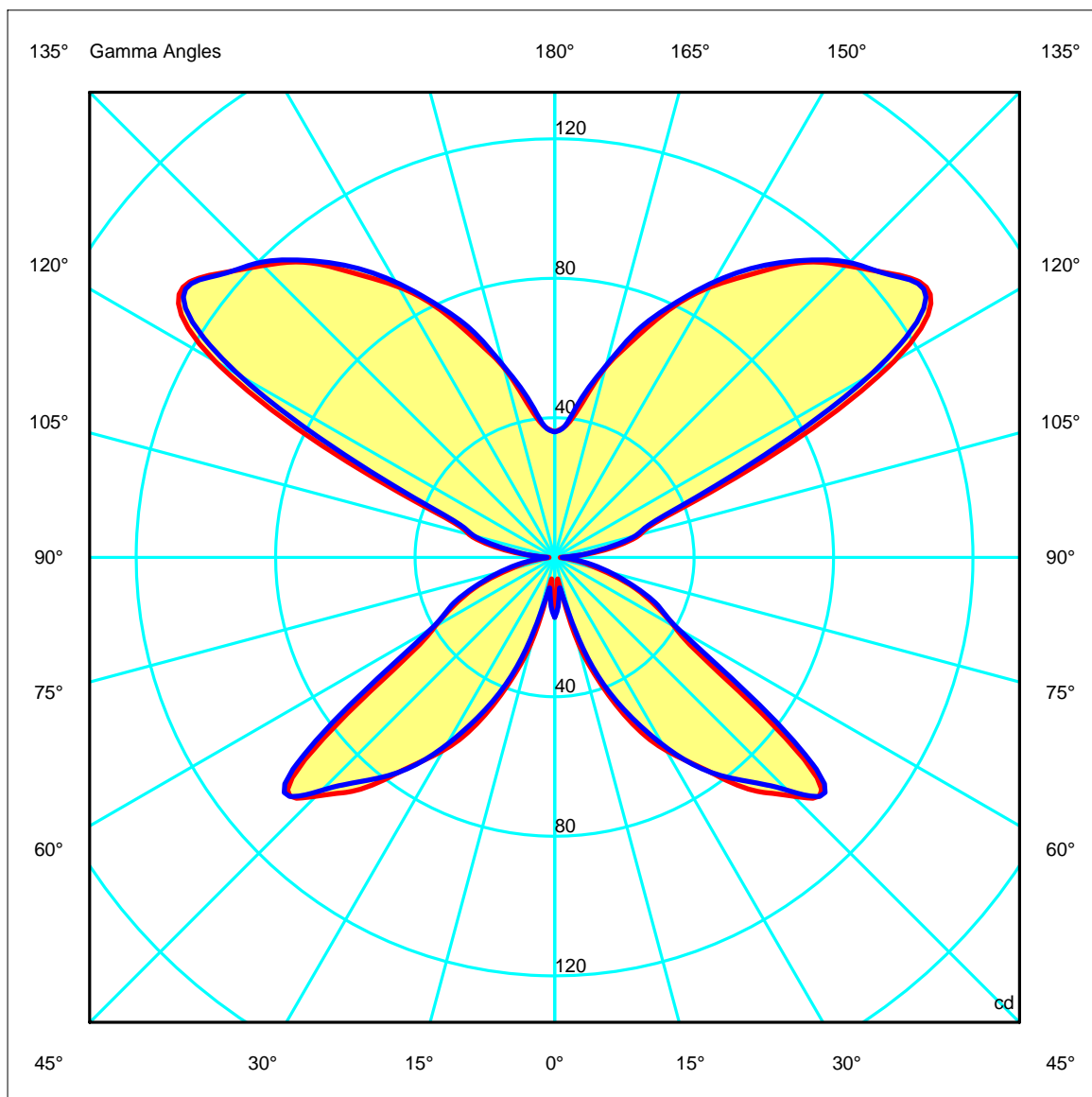
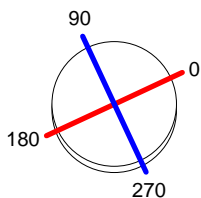
Luminaire		Measur.		Lamp	
Code	25-1823-BW-T002	Code	25-1823-BW-T002	Code	DLX EL FCY 18W827E27
Name	Pie ESTRUC 18W TC N192 T002	Name	Pie ESTRUC 18W TC Tela T002	Number	1
Line	- LEDS-C4	Date	22-07-2013	Position	Universal
Efficiency	61.41%	Coordinate system	CG	Total Flux	1100.00 lm

Diam=600mm

C Halfplanes

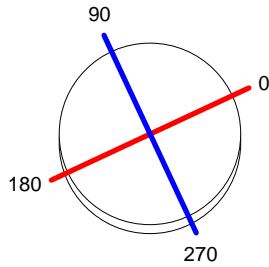
180.0 ——— 0.0

270.0 ——— 90.0

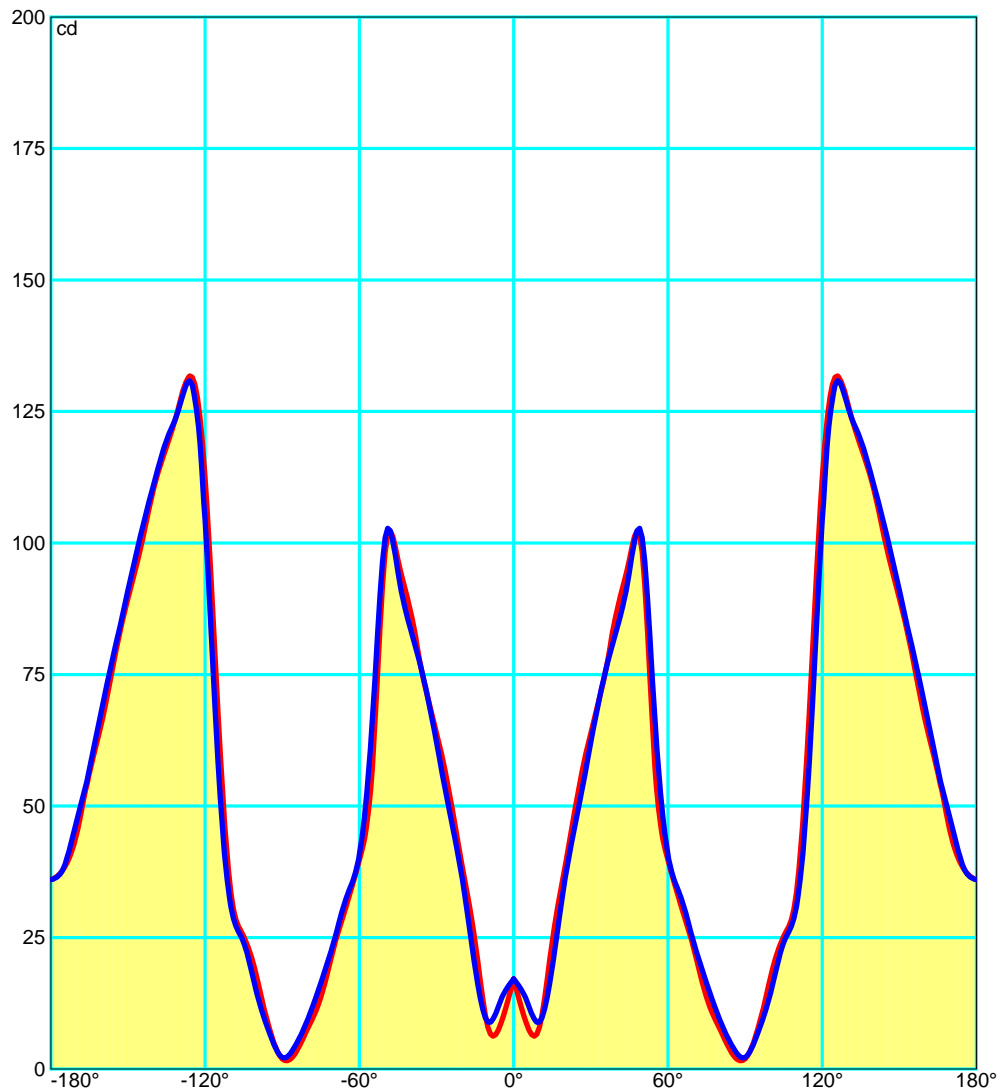


Luminaire		Measur.		Lamp	
Code	25-1823-BW-T002	Code	25-1823-BW-T002	Code	DLX EL FCY 18W827E27
Name	Pie ESTRUC 18W TC N192 T002	Name	Pie ESTRUC 18W TC Tela T002	Number	1
Line	- LEDS-C4	Date	22-07-2013	Position	Universal
Efficiency	61.41%	Coordinate system	CG	Total Flux	1100.00 lm

Diam=600mm



C Halfplanes



Luminaire		Measur.		Lamp	
Code	25-1823-BW-T002	Code	25-1823-BW-T002	Code	DLX EL FCY 18W827E27
Name	Pie ESTRUC 18W TC N192 T002	Name	Pie ESTRUC 18W TC Tela T002	Number	1
Line	- LEDS-C4	Date	22-07-2013	Position	Universal
Efficiency	61.41%	Coordinate system	CG	Total Flux	1100.00 lm

UGR
S = 0.250

Reflectancies										
Ceiling/Cavity	0.7	0.7	0.5	0.5	0.3	0.7	0.7	0.5	0.5	0.3
Walls	0.5	0.3	0.5	0.3	0.3	0.5	0.3	0.5	0.3	0.3
WorkingPlane	0.2	0.2	0.2	0.2	0.2	0.2	0.2	0.2	0.2	0.2
RoomDimensions	ViewedCrosswise					ViewedEndwise				
x=2H y=2H	2.7	3.5	3.7	4.5	5.8	2.7	3.5	3.7	4.5	5.8
x=2H y=3H	3.2	3.9	4.3	4.9	6.3	3.3	4.0	4.3	5.0	6.3
x=2H y=4H	3.3	4.0	4.4	5.0	6.4	3.4	4.1	4.4	5.1	6.4
x=2H y=6H	3.3	3.9	4.4	4.9	6.5	3.5	4.1	4.5	5.1	6.5
x=2H y=8H	3.3	3.9	4.3	4.9	6.4	3.5	4.0	4.5	5.0	6.4
x=2H y=12H	3.2	3.8	4.3	4.8	6.4	3.4	3.9	4.5	5.0	6.4
x=4H y=2H	2.8	3.4	3.8	4.5	5.8	2.8	3.4	3.8	4.5	5.8
x=4H y=3H	3.5	4.0	4.5	5.1	6.5	3.5	4.0	4.6	5.1	6.5
x=4H y=4H	3.7	4.1	4.7	5.2	6.7	3.8	4.2	4.8	5.3	6.7
x=4H y=6H	3.7	4.1	4.8	5.2	6.8	3.9	4.3	4.9	5.3	6.8
x=4H y=8H	3.7	4.1	4.8	5.1	6.8	3.9	4.2	4.9	5.3	6.8
x=4H y=12H	3.7	4.0	4.7	5.1	6.7	3.8	4.2	4.9	5.2	6.7
x=8H y=4H	3.6	4.0	4.7	5.1	6.6	3.7	4.1	4.8	5.1	6.6
x=8H y=6H	3.7	4.0	4.8	5.1	6.7	3.9	4.2	5.0	5.3	6.7
x=8H y=8H	3.7	4.0	4.8	5.1	6.7	3.9	4.2	5.0	5.3	6.7
x=8H y=12H	3.7	3.9	4.8	5.0	6.7	3.9	4.1	5.0	5.2	6.7
x=12H y=4H	3.6	3.9	4.6	5.0	6.5	3.6	4.0	4.7	5.1	6.5
x=12H y=6H	3.7	3.9	4.8	5.0	6.7	3.8	4.1	4.9	5.2	6.7
x=12H y=8H	3.7	3.9	4.8	5.0	6.7	3.8	4.1	5.0	5.2	6.7

Luminaire		Measur.		Lamp	
Code	25-1823-BW-T002	Code	25-1823-BW-T002	Code	DLX EL FCY 18W827E27
Name	Pie ESTRUC 18W TC N192 T002	Name	Pie ESTRUC 18W TC Tela T002	Number	1
Line	- LEDS-C4	Date	22-07-2013	Position	Universal
Efficiency	61.41%	Coordinate system	CG	Total Flux	1100.00 lm

Total Flux=1100.00 Luminaire Flux=675.51

RI	0.60	0.80	1.00	1.25	1.50	2.00	2.50	3.00	4.00	5.00	10.00	20.00
DRR	0.17	0.28	0.37	0.46	0.53	0.63	0.69	0.74	0.79	0.82	0.89	0.94
RC	9	8	7	7	6	6	6	6	6	6	7	7

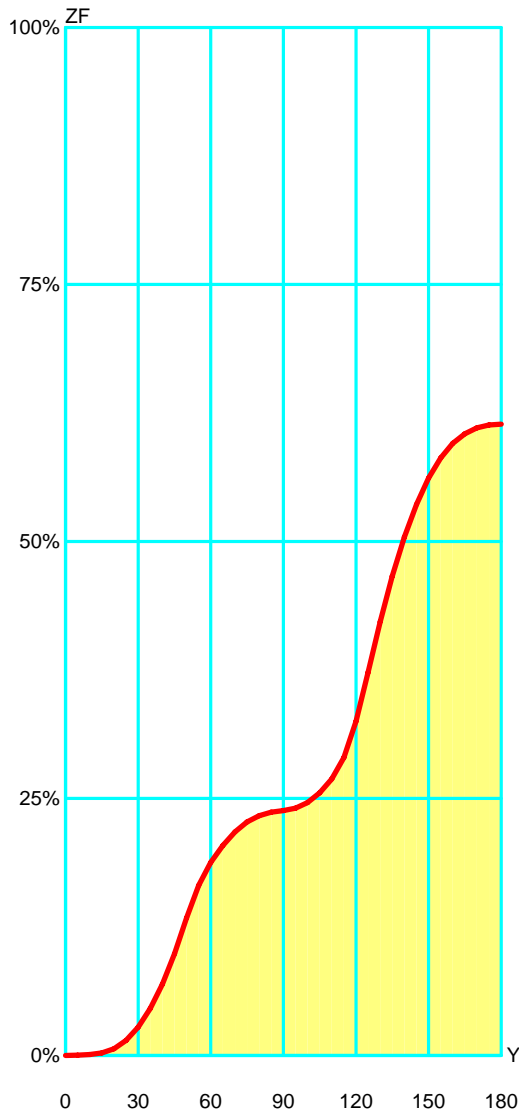
Zonal Flux per 1000 Lumen

Y°	10	20	30	40	50	60	70	80	90	100	110	120	130	140	150	160	170	180
ZF(Y)	1	7	28	69	134	188	218	233	238	246	269	325	422	504	562	595	610	614

CIE Flux Codes

32 79 95 39 61

C.I.E.	9/8/7/7/6/6/6/6/6/7/7	LOR	61.40969 %
D DIN 5040	D22	ULOR	37.58015 %
F UTE	0.24 l + 0.38 T	DLOR	23.82954 %
B NBN	BZ 6 / 1.25 / BZ 5	UFF	61.19580 %
RN	61.19580 %	DFF	38.80420 %
BLF	1.0	FFR	157.70406 %



Zonal Flux				
Gamma °	Flux	Sum lm	Flux [%]	Sum [%]
0°	0.00	0.00	0.00 %	0.00 %
5°	0.31	0.31	0.05 %	0.05 %
10°	0.65	0.96	0.11 %	0.16 %
15°	1.52	2.48	0.25 %	0.40 %
20°	4.15	6.63	0.68 %	1.08 %
25°	8.09	14.72	1.32 %	2.40 %
30°	12.80	27.53	2.09 %	4.48 %
35°	18.09	45.62	2.95 %	7.43 %
40°	23.74	69.35	3.87 %	11.29 %
45°	29.73	99.08	4.84 %	16.13 %
50°	34.72	133.80	5.65 %	21.79 %
55°	31.73	165.53	5.17 %	26.96 %
60°	22.30	187.83	3.63 %	30.59 %
65°	16.46	204.29	2.68 %	33.27 %
70°	13.26	217.55	2.16 %	35.43 %
75°	9.61	227.16	1.57 %	36.99 %
80°	6.12	233.29	1.00 %	37.99 %
85°	3.34	236.62	0.54 %	38.53 %
90°	1.67	238.30	0.27 %	38.80 %
95°	2.31	240.60	0.38 %	39.18 %
100°	5.46	246.06	0.89 %	40.07 %
105°	9.50	255.57	1.55 %	41.62 %
110°	13.33	268.89	2.17 %	43.79 %
115°	20.92	289.81	3.41 %	47.19 %
120°	35.31	325.12	5.75 %	52.94 %
125°	47.56	372.68	7.75 %	60.69 %
130°	49.22	421.90	8.01 %	68.70 %
135°	44.26	466.16	7.21 %	75.91 %
140°	38.13	504.30	6.21 %	82.12 %
145°	31.82	536.11	5.18 %	87.30 %
150°	25.54	561.66	4.16 %	91.46 %
155°	19.57	581.23	3.19 %	94.65 %
160°	14.14	595.37	2.30 %	96.95 %
165°	9.46	604.83	1.54 %	98.49 %
170°	5.65	610.48	0.92 %	99.41 %
175°	2.80	613.28	0.46 %	99.87 %
180°	0.81	614.10	0.13 %	100.00 %

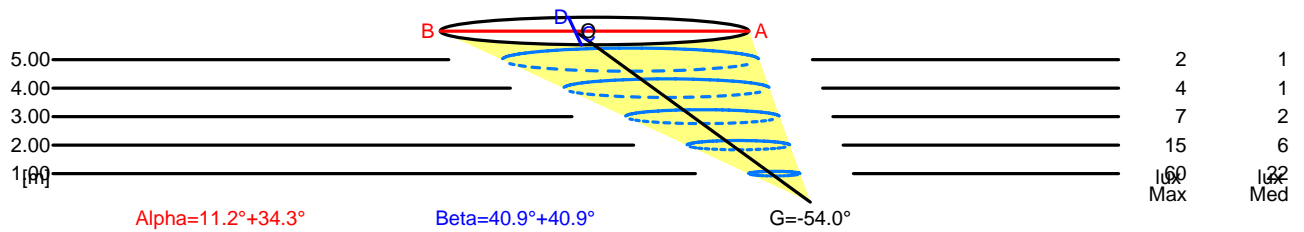
Luminaire		Measur.		Lamp	
Code	25-1823-BW-T002	Code	25-1823-BW-T002	Code	DLX EL FCY 18W827E27
Name	Pie ESTRUC 18W TC N192 T002	Name	Pie ESTRUC 18W TC Tela T002	Number	1
Line	- LEDS-C4	Date	22-07-2013	Position	Universal

Efficiency	61.41%	Coordinate system	CG	Total Flux	1100.00 lm
------------	--------	-------------------	----	------------	------------

Width at 50.00 % of MaxLux

H[m]	1.00	2.00	3.00	4.00	5.00	H[m]	1.00	2.00	3.00	4.00	5.00
OA	1.02	2.04	3.05	4.07	5.09	OC	1.47	2.95	4.42	5.89	7.36
OB	0.79	1.58	2.36	3.15	3.94	OD	1.47	2.95	4.42	5.89	7.36

	Luminous Intensities [cd]									
	0	5	15	25	35	45	55	65	75	85
OA	36.02	38.03	56.32	78.69	99.29	118.30	131.52	67.67	25.34	7.70
OB	36.02	38.03	56.32	78.69	99.29	118.30	131.52	67.67	25.34	7.70
OC	36.02	38.31	56.89	79.92	101.74	119.55	130.04	58.23	24.08	6.90
OD	36.02	38.31	56.89	79.92	101.74	119.55	130.04	58.23	24.08	6.90



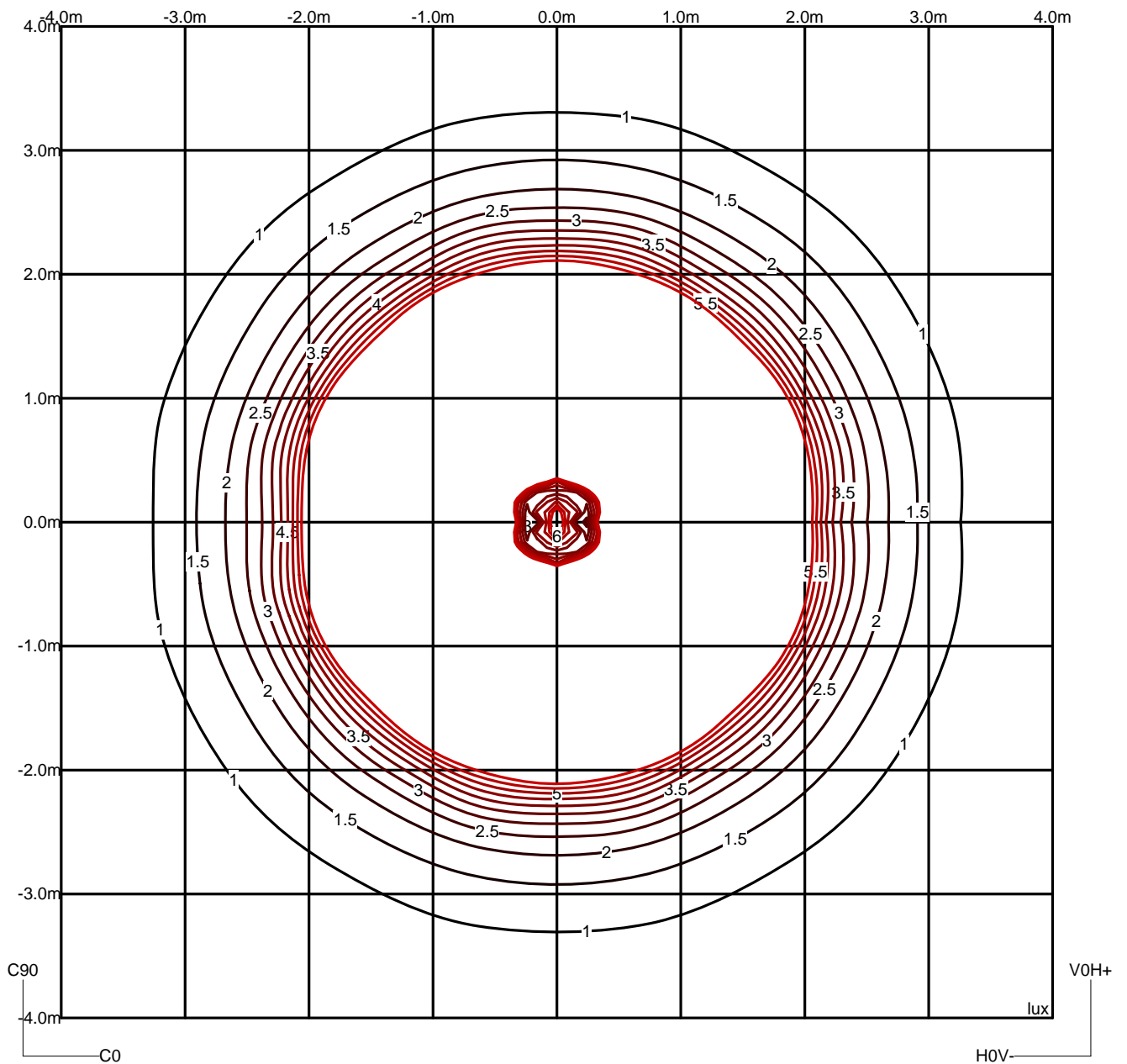
5.00	9.03	2	1	
4.00	7.22	4	1	
3.00	5.42	7	2	
2.00	3.61	15	6	
1.00	1.81	60	22	
H[m]	D[m]	Max lux	Med lux	$\text{Alpha} = 11.2^\circ + 34.3^\circ$ $G = -54.0$

5.00	14.73	2	1	
4.00	11.78	4	1	
3.00	8.84	7	2	
2.00	5.89	15	6	
1.00	2.95	60	22	
H[m]	D[m]	Max lux	Med lux	$\text{Beta} = 40.9^\circ + 40.9^\circ$ $G = 0.0$

Luminaire		Measur.		Lamp	
Code	25-1823-BW-T002	Code	25-1823-BW-T002	Code	DLX EL FCY 18W827E27
Name	Pie ESTRUC 18W TC N192 T002	Name	Pie ESTRUC 18W TC Tela T002	Number	1
Line	- LEDS-C4	Date	22-07-2013	Position	Universal
Efficiency	61.41%	Coordinate system	CG	Total Flux	1100.00 lm

Isolux (Floor)

Luminaire position X=0.00m Y=0.00m Z=1.50m



Luminaire	Measur.	Lamp
Code 25-1823-BW-T002	Code 25-1823-BW-T002	Code DLX EL FCY 18W827E27
Name Pie ESTRUC 18W TC N192 T002	Name Pie ESTRUC 18W TC Tela T002	Number 1
Line - LEDS-C4	Date 22-07-2013	Position Universal

Efficiency	61.41%	Coordinate system	CG	Total Flux	1100.00 lm
------------	--------	-------------------	----	------------	------------

Utilizations CIE

Mounting	Direct	114-Norm type Normalised										Suspension Ratio 3					Standard CIE Settings						
Ceiling																							
K	8873	8773	8871	8771	7773	7771	7753	7553	7751	7551	7731	7331	7711	7111	5551	5531	5331	5511	5111	3331	3311	1111	0000
0.60	389	349	370	334	332	319	298	254	290	248	271	205	257	175	231	219	193	210	167	183	177	153	141
0.80	427	392	396	366	372	349	335	293	320	281	299	238	283	207	263	249	225	238	197	213	205	181	167
1.00	453	421	412	385	401	369	362	323	340	305	318	262	302	231	286	271	249	259	221	236	228	203	188
1.25	476	448	422	400	426	384	388	353	357	326	336	286	319	255	307	292	271	280	244	258	249	225	209
1.50	492	467	428	409	445	394	408	376	369	342	348	303	332	274	322	308	289	296	263	275	267	243	225
2.00	513	493	434	420	470	405	437	409	384	362	366	328	350	301	343	330	314	318	290	300	292	269	251
2.50	527	510	436	425	487	412	457	432	393	375	377	345	363	320	357	345	331	334	309	318	310	288	268
3.00	536	522	438	428	499	416	471	450	399	384	385	357	372	334	366	355	343	345	323	330	323	303	282
4.00	549	537	439	432	514	421	491	474	407	395	395	373	384	354	379	370	360	361	343	347	341	323	301
5.00	557	547	439	433	524	424	504	489	412	402	402	384	392	367	387	379	371	371	356	359	353	336	313
10.00	573	568	439	436	545	428	533	525	422	417	415	406	409	396	404	399	394	394	385	384	380	367	342
20.00	581	579	438	436	556	430	549	545	426	424	423	418	419	412	413	410	407	402	398	395	384	358	

Wall

K	8873	8773	8871	8771	7773	7771	7753	7553	7751	7551	7731	7331	7711	7111	5551	5531	5331	5511	5111	3331	3311	1111	0000
0.60	237	216	213	195	205	186	161	141	150	131	126	100	108	80	122	103	94	90	75	88	77	68	60
0.80	274	252	239	221	237	209	193	170	174	155	149	121	131	99	141	122	112	108	92	103	92	79	69
1.00	300	279	255	239	260	224	217	194	191	172	167	139	148	115	155	137	126	122	105	114	103	88	75
1.25	323	304	268	253	281	236	239	217	206	188	183	155	165	131	167	150	139	136	118	124	113	95	80
1.50	340	322	276	263	296	245	257	235	217	200	195	168	178	144	176	160	149	146	129	131	121	100	84
2.00	361	346	285	274	316	254	282	262	231	216	211	187	195	164	187	173	163	161	144	141	132	107	88
2.50	377	363	291	282	330	261	299	281	240	227	223	201	208	179	195	182	173	171	155	148	140	112	91
3.00	387	376	295	287	341	265	313	296	247	236	232	211	218	191	201	190	181	179	165	153	146	117	94
4.00	404	395	302	296	357	273	333	319	259	249	245	228	233	210	211	202	195	193	180	163	157	124	100
5.00	417	409	309	304	369	280	349	336	268	260	256	242	246	225	220	211	205	203	192	171	166	131	105
10.00	454	449	332	329	406	305	393	385	297	292	290	281	283	270	248	243	239	238	230	199	195	156	127
20.00	488	486	359	357	440	332	432	428	328	325	323	318	319	312	278	275	273	272	267	229	227	185	153

Working Pl.

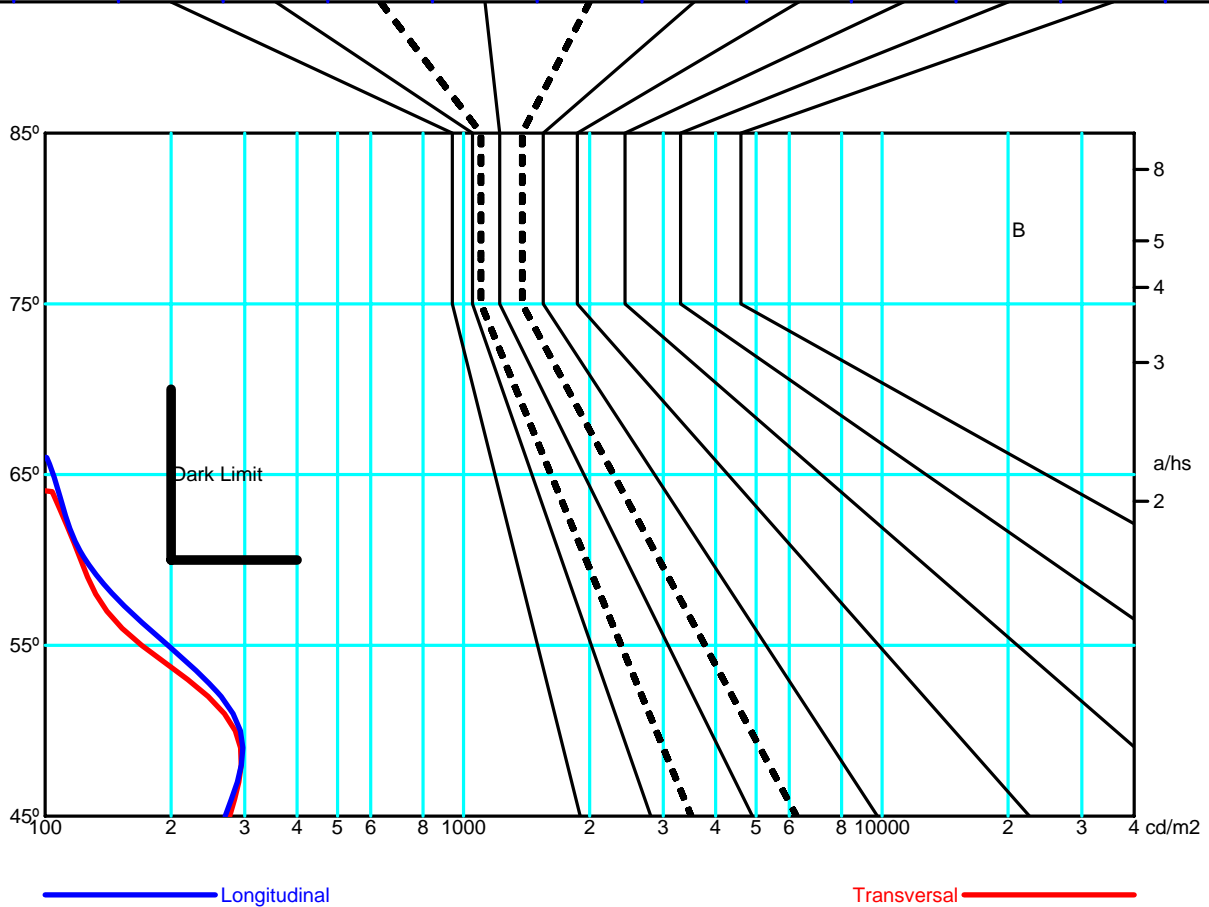
K	8873	8773	8871	8771	7773	7771	7753	7553	7751	7551	7731	7331	7711	7111	5551	5531	5331	5511	5111	3331	3311	1111	0000
0.60	242	220	226	206	205	193	153	132	147	127	116	90	93	66	114	90	81	73	59	73	59	48	40
0.80	310	285	285	264	265	246	210	186	200	178	168	136	143	107	158	133	122	114	97	109	94	78	67
1.00	361	337	329	309	311	287	257	231	243	219	210	175	185	144	193	169	155	149	129	138	123	102	88
1.25	411	388	371	352	356	326	304	277	285	261	253	216	228	184	228	204	190	185	163	167	152	126	110
1.50	449	426	401	383	390	355	341	313	317	293	286	249	261	216	254	232	218	214	190	189	175	144	126
2.00	503	482	443	428	440	395	395	369	362	341	335	300	312	267	293	273	260	257	233	223	210	171	150
2.50	537	520	469	456	472	421	432	408	392	373	368	335	347	304	318	301	288	286	263	245	234	189	165
3.00	562	546	487	476	495	439	459	437	413	396	391	361	372	332	337	321	309	307	285	260	250	201	176
4.00	595	582	510	501	525	461	495	476	441	426	422	397	406	371	360	347	337	335	316	281	273	217	189
5.00	615	604	524	517	544	475	518	502	458	446	442	420	427	397	375	364	355	353	336	294	287	226	196
10.00	658	652	553	549	586	505	570	560	495	488	485	472	476	457	408	401	395	394	384	323	318	248	213
20.00	682	679	568	566	608	521	599	594	515	511	509	502	504	493	426	422	419	418	412	340	337	260	223

LM53 SHR C0-C180: 0.166 SHR C90-C270: 0.308 SHR Square: 1.670

Luminaire		Measur.		Lamp	
Code	25-1823-BW-T002	Code	25-1823-BW-T002	Code	DLX EL FCY 18W827E27
Name	Pie ESTRUC 18W TC N192 T002	Name	Pie ESTRUC 18W TC Tela T002	Number	1
Line	- LEDS-C4	Date	22-07-2013	Position	Universal
Efficiency	61.41%	Coordinate system	CG	Total Flux	1100.00 lm

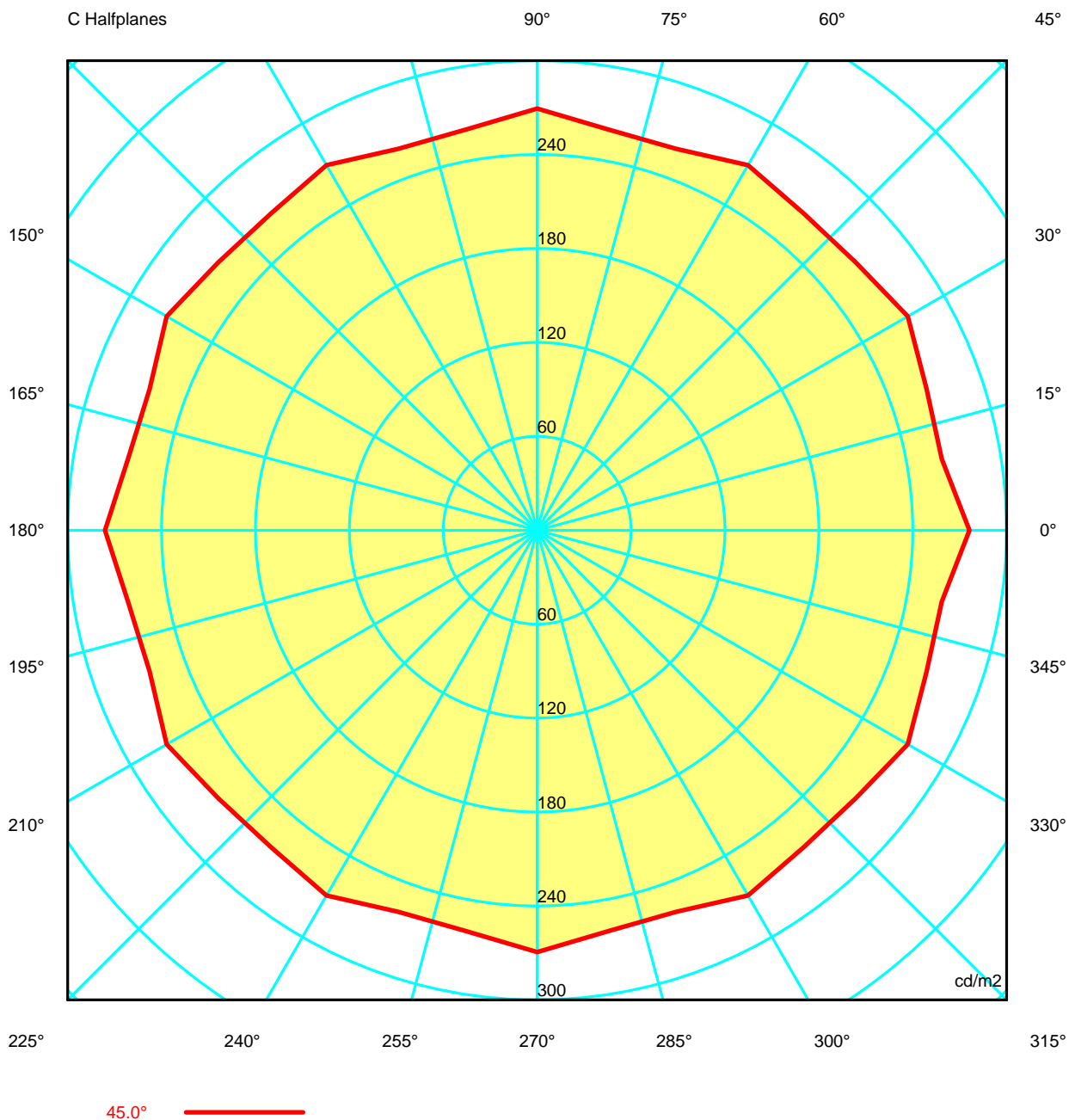
Average Luminance [cd/m ²]											
	0°	45°	50°	55°	60°	65°	70°	75°	80°	85°	
0°	276.2	276.2	284.9	170.2	121.7	99.7	77.6	48.8	30.2	12.5	---
90°	269.4	269.4	292.8	196.3	125.0	104.7	81.3	58.6	36.9	18.5	---
180°	276.2	276.2	284.9	170.2	121.7	99.7	77.6	48.8	30.2	12.5	---
270°	269.4	269.4	292.8	196.3	125.0	104.7	81.3	58.6	36.9	18.5	---

Flush mounted or transversal view												
		Illumination (lx)										
A	A	2000	1000	750	500		<300					1.15
B	1		2000	1500	1000	750	500	<300				1.5
C					2000		1000	500	<300			1.85
D	2						2000	1000	500	<300		2.2
E	3							2000	1000	500	<300	2.55



Luminaire		Measur.		Lamp	
Code	25-1823-BW-T002	Code	25-1823-BW-T002	Code	DLX EL FCY 18W827E27
Name	Pie ESTRUC 18W TC N192 T002	Name	Pie ESTRUC 18W TC Tela T002	Number	1
Line	- LEDS-C4	Date	22-07-2013	Position	Universal
Efficiency	61.41%	Coordinate system	CG	Total Flux	1100.00 lm

Luminance



Luminaire		Measur.		Lamp	
Code	25-1823-BW-T002	Code	25-1823-BW-T002	Code	DLX EL FCY 18W827E27
Name	Pie ESTRUC 18W TC N192 T002	Name	Pie ESTRUC 18W TC Tela T002	Number	1
Line	- LEDS-C4	Date	22-07-2013	Position	Universal

Efficiency	61.41%	Coordinate system	CG	Total Flux	1100.00 lm
------------	--------	-------------------	----	------------	------------

	Luminance cd/m2												
	C 0.00	C 10.00	C 20.00	C 30.00	C 40.00	C 50.00	C 60.00	C 70.00	C 80.00	C 90.00	C 100.00	C 110.00	C 120.00
G 0.0	60.62	60.62	60.62	60.62	60.62	60.62	60.62	60.62	60.62	60.62	60.62	60.62	60.62
G 5.0	28.76	30.50	38.76	45.76	38.54	38.57	44.98	36.86	36.44	43.65	36.44	36.86	44.98
G 10.0	25.23	24.62	23.81	24.27	27.40	28.32	26.98	27.93	28.44	28.26	28.44	27.93	26.98
G 15.0	73.82	62.04	55.18	53.77	54.63	57.18	61.67	66.64	64.07	58.90	64.07	66.65	61.67
G 20.0	113.57	105.83	103.86	104.34	103.76	102.28	102.63	106.09	107.13	106.61	107.13	106.10	102.63
G 25.0	151.62	144.14	141.88	143.02	141.08	138.58	138.92	142.46	143.31	141.81	143.30	142.46	138.92
G 30.0	182.07	177.13	177.08	178.59	174.20	172.22	175.14	176.98	177.12	176.80	177.11	176.98	175.14
G 35.0	208.68	205.53	207.52	210.53	206.11	204.37	206.53	204.33	205.81	209.59	205.81	204.34	206.53
G 40.0	245.58	235.62	236.84	241.80	233.75	231.34	236.49	232.72	232.26	236.03	232.26	232.73	236.49
G 45.0	278.17	262.52	264.69	273.38	265.93	264.50	269.31	259.32	260.04	269.43	260.03	259.33	269.31
G 50.0	284.87	270.18	284.71	300.38	267.12	268.15	295.48	262.48	261.96	292.84	261.96	262.50	295.48
G 55.0	170.16	186.56	197.10	198.36	191.89	189.04	192.79	196.32	197.02	196.29	197.02	196.31	192.79
G 60.0	121.74	126.20	127.63	127.33	128.53	128.18	126.15	128.04	127.48	125.00	127.48	128.03	126.15
G 65.0	99.73	104.40	106.27	106.58	108.62	108.10	105.57	106.09	105.92	104.68	105.92	106.09	105.57
G 70.0	77.62	82.34	83.27	82.59	82.31	81.91	82.15	84.16	83.98	81.32	83.98	84.16	82.15
G 75.0	48.76	54.43	56.20	56.48	58.90	59.67	58.27	58.67	58.78	58.61	58.78	58.67	58.27
G 80.0	30.23	34.31	35.27	34.96	35.58	35.67	35.40	37.64	38.10	36.91	38.10	37.63	35.40
G 85.0	12.49	16.59	17.76	17.78	19.08	19.10	18.22	19.74	19.78	18.49	19.78	19.73	18.22
G 90.0	9.04	9.59	9.46	9.31	11.14	11.00	10.02	16.07	15.53	10.32	15.53	16.07	10.02

Luminaire		Measur.		Lamp	
Code	25-1823-BW-T002	Code	25-1823-BW-T002	Code	DLX EL FCY 18W827E27
Name	Pie ESTRUC 18W TC N192 T002	Name	Pie ESTRUC 18W TC Tela T002	Number	1
Line	- LEDS-C4	Date	22-07-2013	Position	Universal

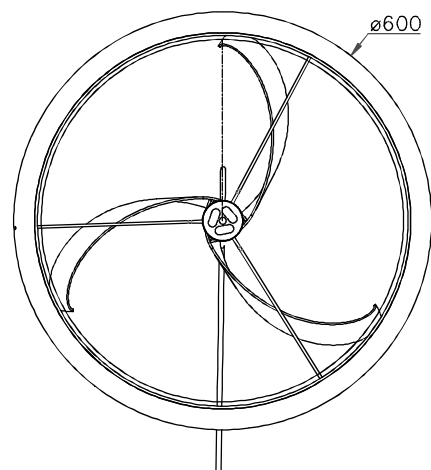
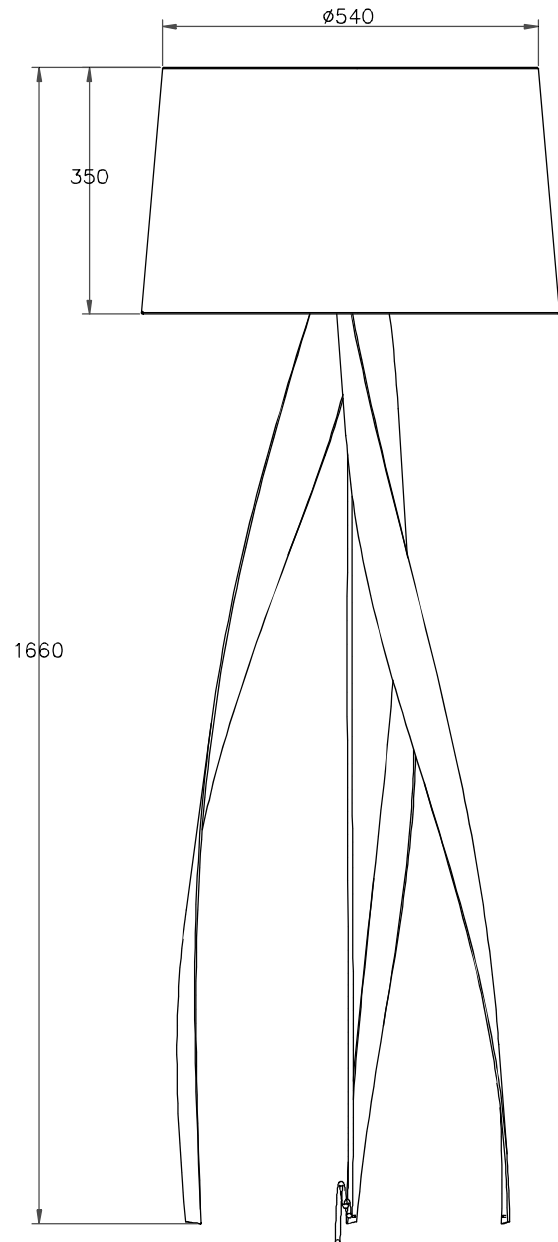
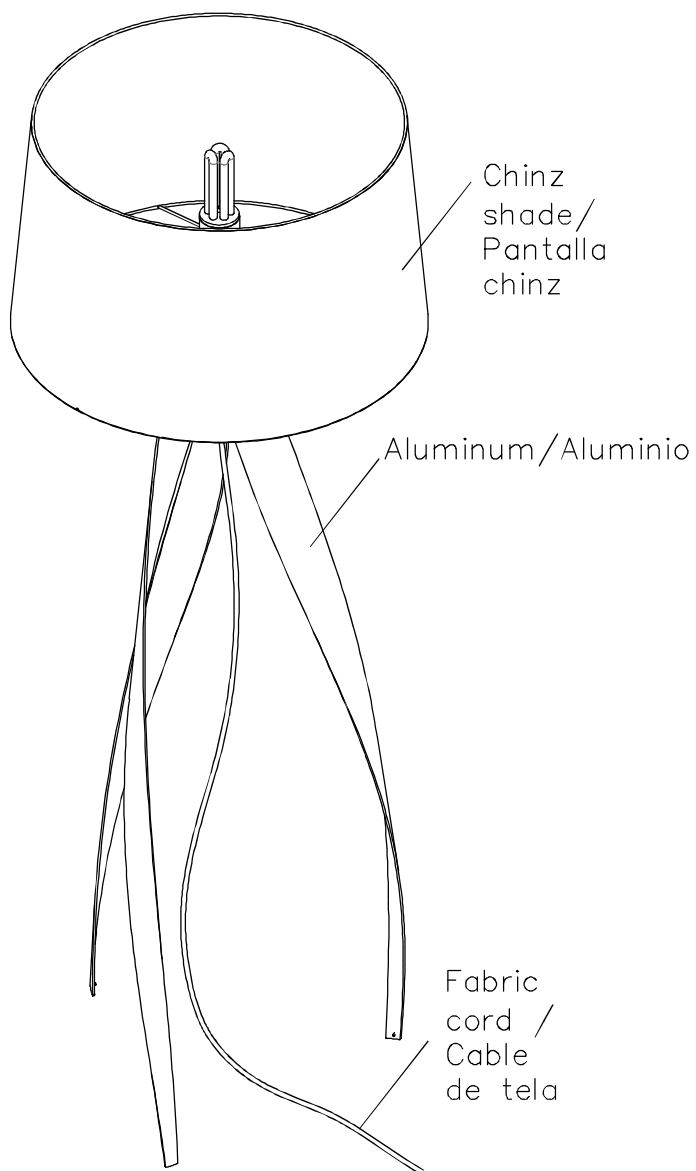
Efficiency	61.41%	Coordinate system	CG	Total Flux	1100.00 lm
------------	--------	-------------------	----	------------	------------

	Luminance cd/m2												
	C 130.00	C 140.00	C 150.00	C 160.00	C 170.00	C 180.00	C 190.00	C 200.00	C 210.00	C 220.00	C 230.00	C 240.00	C 250.00
G 0.0	60.62	60.62	60.62	60.62	60.62	60.62	60.62	60.62	60.62	60.62	60.62	60.62	60.62
G 5.0	38.58	38.53	45.76	38.80	30.41	28.76	30.41	38.80	45.76	38.53	38.58	44.98	36.86
G 10.0	28.32	27.41	24.27	24.24	24.71	25.23	24.71	23.78	24.27	27.41	28.32	26.98	27.93
G 15.0	57.12	54.78	53.77	54.33	64.20	73.82	64.20	54.33	53.77	54.78	57.12	61.67	66.65
G 20.0	102.24	103.87	104.34	103.86	107.30	113.57	107.30	103.86	104.34	103.43	102.24	102.63	106.10
G 25.0	138.54	141.18	143.02	142.43	145.57	151.62	145.57	142.43	143.02	141.18	138.54	138.92	142.46
G 30.0	172.19	174.27	178.59	176.69	178.12	182.07	178.12	176.69	178.59	174.27	172.19	175.14	176.98
G 35.0	204.36	206.16	210.53	207.25	206.23	208.68	206.23	207.25	210.53	206.16	204.36	206.53	204.34
G 40.0	231.28	233.90	241.80	236.04	237.66	245.58	237.66	236.04	241.80	233.90	231.28	236.49	232.73
G 45.0	264.42	266.14	273.38	263.58	265.33	276.17	265.33	263.58	273.38	266.14	264.42	269.31	259.33
G 50.0	268.05	267.37	300.38	283.36	273.59	284.87	273.59	283.36	300.38	267.37	268.05	295.48	262.50
G 55.0	189.13	191.68	198.36	198.28	183.59	170.16	183.59	198.28	198.36	191.68	189.13	192.79	196.31
G 60.0	128.21	128.53	127.33	127.39	125.35	121.74	125.35	127.39	127.33	128.53	128.21	126.15	128.03
G 65.0	108.13	108.56	106.58	106.06	103.52	99.73	103.52	106.06	106.58	108.56	108.13	105.57	106.09
G 70.0	82.20	82.34	82.59	84.12	81.43	77.62	81.43	83.27	82.59	82.34	81.93	82.15	84.16
G 75.0	59.70	58.83	56.48	56.20	53.35	48.76	53.35	56.20	56.48	58.83	59.70	58.27	58.67
G 80.0	35.67	35.53	34.96	35.27	33.53	30.23	33.53	35.27	34.96	35.53	35.67	35.40	37.63
G 85.0	19.12	19.02	17.78	17.76	15.81	12.49	15.81	17.76	17.78	19.02	19.12	18.22	19.73
G 90.0	11.01	11.14	9.31	9.46	9.47	9.04	9.47	9.46	9.31	11.14	11.01	10.02	16.07

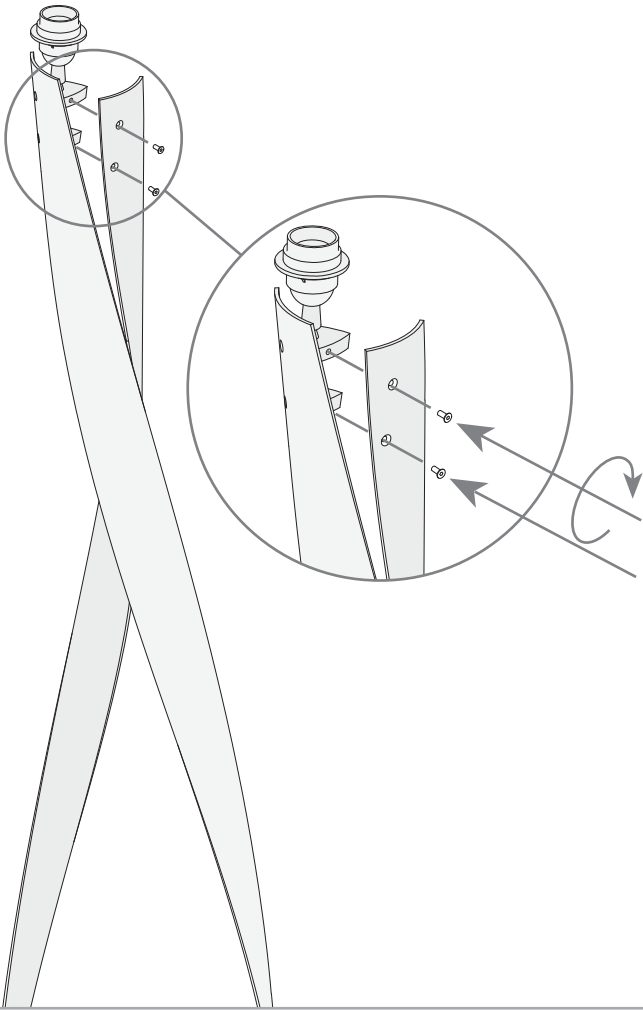
Luminaire		Measur.		Lamp	
Code	25-1823-BW-T002	Code	25-1823-BW-T002	Code	DLX EL FCY 18W827E27
Name	Pie ESTRUC 18W TC N192 T002	Name	Pie ESTRUC 18W TC Tela T002	Number	1
Line	- LEDS-C4	Date	22-07-2013	Position	Universal

Efficiency	61.41%	Coordinate system	CG	Total Flux	1100.00 lm
------------	--------	-------------------	----	------------	------------

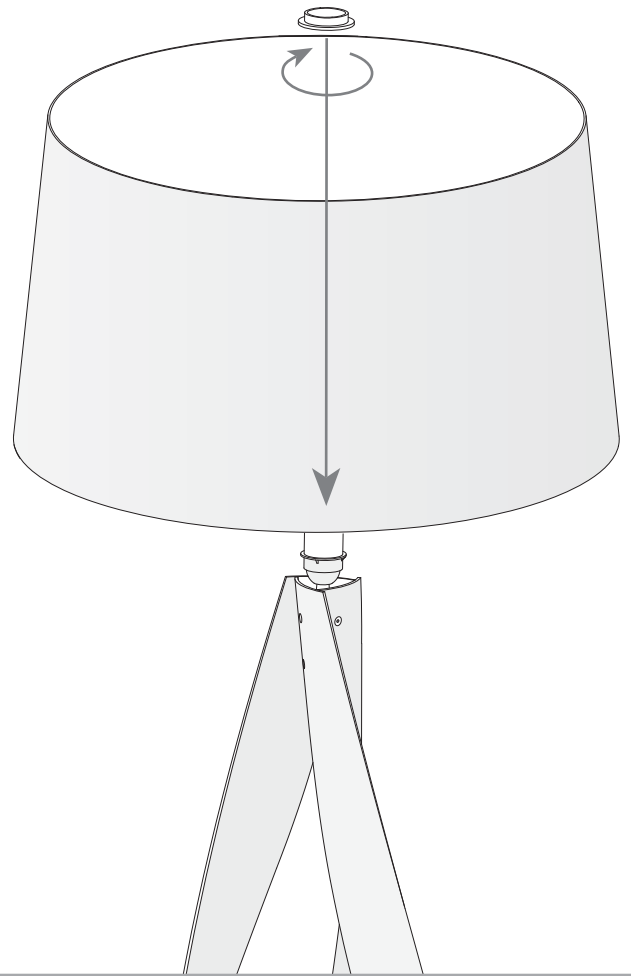
Luminance cd/m2 Table 3/3													
	C 180.00	C 190.00	C 200.00	C 210.00	C 220.00	C 230.00	C 240.00	C 250.00	C 260.00	C 270.00	C 280.00	C 290.00	C 300.00
G 0.0	60.62	60.62	60.62	60.62	60.62	60.62	60.62	60.62	60.62	60.62	60.62	60.62	60.62
G 5.0	28.76	30.41	38.80	45.76	38.53	38.58	44.98	36.86	36.44	43.65	36.44	36.86	44.98
G 10.0	25.23	24.71	23.78	24.27	27.41	28.32	26.98	27.93	28.44	28.26	28.44	27.93	26.98
G 15.0	73.82	64.20	54.33	53.77	54.78	57.12	61.67	66.65	64.07	58.90	64.07	66.64	61.67
G 20.0	113.57	107.30	103.86	104.34	103.43	102.24	102.63	106.10	107.13	106.61	107.13	106.09	102.63
G 25.0	151.62	145.57	142.43	143.02	141.18	138.54	138.92	142.46	143.30	141.81	143.31	142.46	138.92
G 30.0	182.07	178.12	176.69	178.59	174.27	172.19	175.14	176.98	177.11	176.80	177.12	176.98	175.14
G 35.0	208.68	206.23	207.25	210.53	206.16	204.36	206.53	204.34	205.81	209.59	205.81	204.33	206.53
G 40.0	245.58	237.66	236.04	241.80	233.90	231.28	236.49	232.73	232.26	236.03	232.26	232.72	236.49
G 45.0	278.17	265.33	263.58	273.38	266.14	264.42	269.31	269.33	260.03	269.43	260.04	259.32	269.31
G 50.0	284.87	273.59	283.36	300.38	267.37	268.05	295.48	262.50	261.96	292.84	261.96	262.48	295.48
G 55.0	170.16	183.59	198.28	198.36	191.68	189.13	192.79	196.31	197.02	196.29	197.02	196.32	192.79
G 60.0	121.74	125.35	127.39	127.33	128.53	128.21	126.15	128.03	127.48	125.00	127.48	128.04	126.15
G 65.0	99.73	103.52	106.06	106.58	108.56	108.13	105.57	106.09	105.92	104.68	105.92	106.09	105.57
G 70.0	77.62	81.43	83.27	82.59	82.34	81.93	82.15	84.16	83.98	81.32	83.98	84.16	82.15
G 75.0	48.76	53.35	56.20	56.48	58.83	59.70	58.27	58.67	58.78	58.61	58.78	58.67	58.27
G 80.0	30.23	33.53	35.27	34.96	35.53	35.67	35.40	37.63	38.10	36.91	38.10	37.64	35.40
G 85.0	12.49	15.81	17.76	17.78	19.02	19.12	18.22	19.73	19.78	18.49	19.78	19.74	18.22
G 90.0	9.04	9.47	9.46	9.31	11.14	11.01	10.02	16.07	15.53	10.32	15.53	16.07	10.02



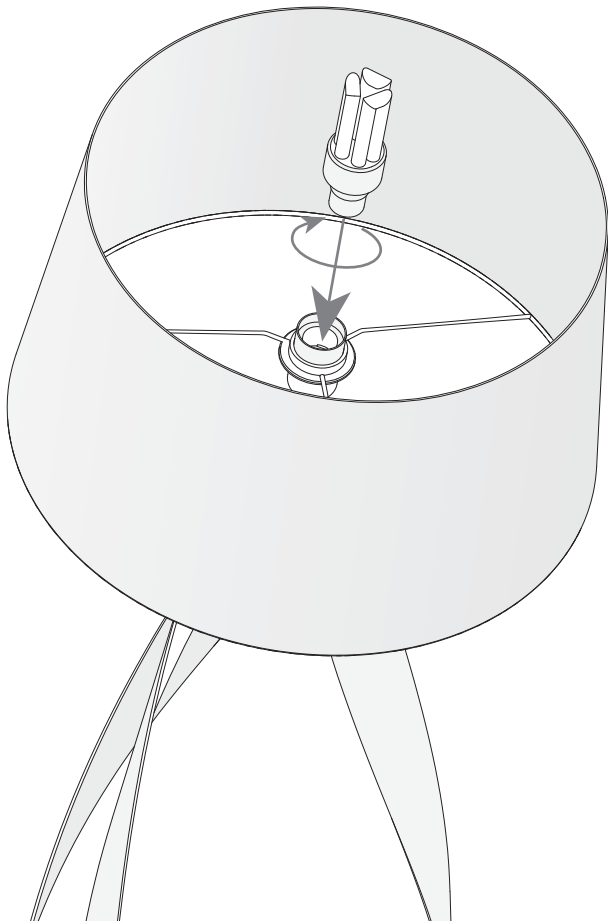
1



2



3



4

